



SUPER SHOT 60 PROPANE MELTER

Parts Manual - 26616
Revision E

Fill in appropriate fields that apply to this machine

Machine S/N: _____

1st Hose S/N: _____

2nd Hose S/N: _____

1st Pump S/N: _____

2nd Pump S/N: _____

Engine S/N: _____

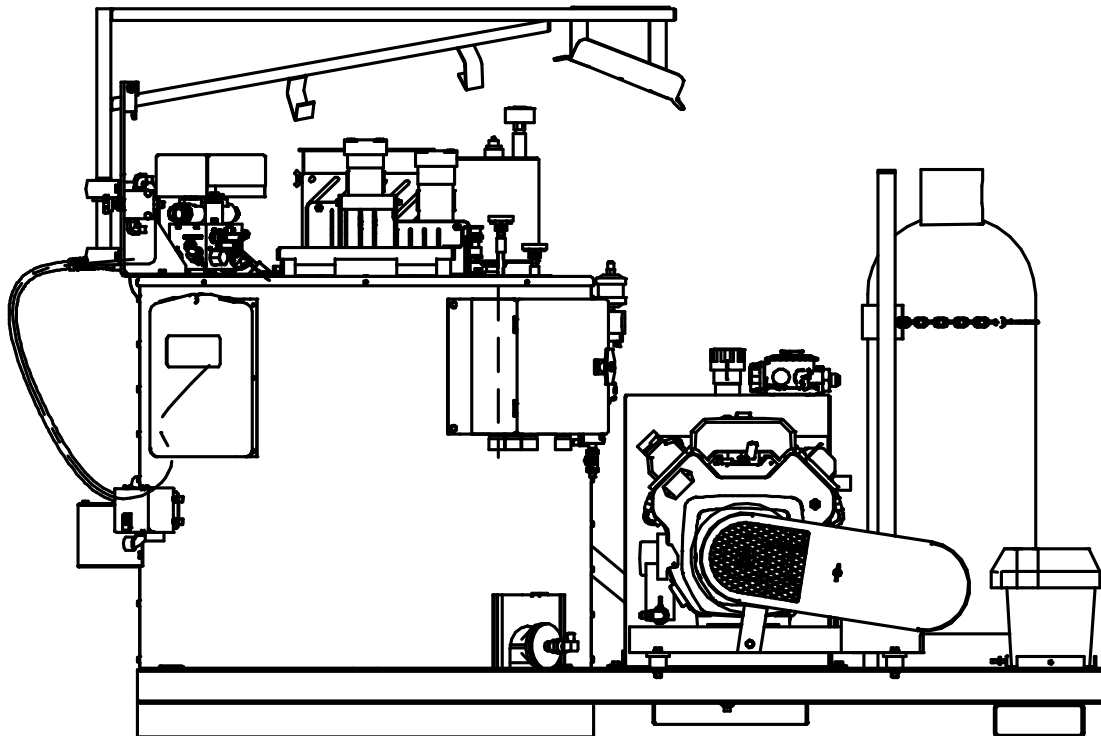
Compressor S/N: _____

Gear Box S/N (Patcher): _____

Blower S/N (Magnum): _____



**Super Shot 60 Propane Trailer Melter
PN 43300**



**Super Shot 60 Propane Skid Melter
PN 50750**

Table of Contents

1.0 About This Manual	1-1
1.1 How to use this manual:	1-1
2.0 Safety Precautions	2-1
2.1 General Safety.....	2-1
2.2 Personal Safety	2-1
2.3 Equipment or Operational Safety	2-2
2.4 California Proposition 65.....	2-3
2.4.1 All Crafco, Inc. Equipment	2-3
2.4.2 All Crafco, Inc. Equipment using a Non Diesel Engine	2-3
2.5 Towing or Driving for Transporting with Burner On	2-3
2.6 Safety Symbols and Notices	2-4
3.0 Limited Warranty	3-1
3.1 Warranty Claim Instructions.....	3-2
4.0 Machine Specifications	4-1
5.0 Operating Instructions	5-1
5.1 Preparing the Machine for Start Up.....	5-1
5.2 Machine Start Up.....	5-3
5.3 About the Heated Hose, Wand, Valve, and Tip Guard	5-5
5.4 Operating the Electric Hose	5-6
5.5 Dispensing the Material	5-7
5.6 About the Active Screen Pump Protection	5-7
5.7 Loading Material into the Sealant Tank.....	5-8
5.7.1 Material Tank Depth Chart.....	5-9
5.8 Shutting Down and Cleaning Out the Machine	5-10
5.9 Storing the Electric Hose for Transport	5-11
5.10 Overnight Heater Use	5-12
5.11 Mounting a Skid Machine	5-13
5.12 Shot Timer Option	5-14
5.12.1 Shot Timer Troubleshooting Manual	5-15
5.13 Storing the Machine.....	5-16
6.0 Maintenance Instructions	6-1
6.1 Engine	6-1
6.2 Hydraulic System.....	6-1
6.3 Heat Transfer Oil	6-1

Table of Contents

6.4 Wheel Bearing.....	6-1
6.5 Material Sensor Tube	6-1
6.6 Cleaning Material Tank and Sensor Area	6-1
6.7 Cleaning the Melter	6-1
6.8 Lug Nuts.....	6-2
6.9 Brakes.....	6-2
6.10 Tongue Jack.....	6-2
6.11 Temperature control Calibration	6-3
6.12 Maintenance Chart	6-4
6.13 Service Instructions	6-5
6.14 General Maintenance Parts.....	6-5
6.15 Recommended Spare Parts	6-6
6.16 Recommended Fluids and Lubricants	6-6
6.17 Applicable Brands of Heat Transfer Oil.....	6-7
6.18 Typical Heat Transfer Oil Specifications	6-7
6.19 Changing the Heat Transfer Oil	6-8
6.20 Material Pump Replacement	6-9
6.21 Wand Repair Instructions	6-21
6.21.1 Cable Replacement.....	6-21
6.21.2 Switch Replacement.....	6-21
6.21.3 Terminal Block Replacement.....	6-21
6.21.4 Wand Handle Replacement.....	6-22
7.0 How to Use a Multimeter.....	7-1
7.1 Checking DC Voltage with a Multimeter	7-1
7.2 Checking AC Voltage with Multimeter.....	7-1
7.3 Checking Resistance (Ohms).....	7-1
7.3.1 How to Check Wire Continuity	7-1
7.3.2 How to Check RTD Sensor.....	7-1
7.4 Checking Amperage.....	7-2
8.0 Burner Troubleshooting	8-1
8.0.1. Symptoms: Burner will Not Ignite.....	8-1
8.0.2. Burner Ignitor Proper Spacing and Function	8-8
8.0.3. Checking Spark Control Module	8-9
8.0.4. Burner Flame Adjustment	8-9
8.1 Sealant is Heating Slowly	8-10

Table of Contents

8.2 Mixer Troubleshooting	8-11
8.2.1 Symptom: Mixer Does Not Rotate.....	8-11
8.3 Hose Troubleshooting.....	8-20
8.3.1 Symptom: Hose Does Not Heat	8-20
8.3.2 Symptom: Trigger is not Working.....	8-25
8.3.3 RTD Sensor Ohms vs. Temperature.....	8-26
8.4 Pump Troubleshooting.....	8-28
8.4.1 Symptom: Material Does Not Dispense When the Pump is Activated	8-28
8.4.2 Pump Hydraulic Troubleshooting	8-34
9.0 About the Illustrated Parts List.....	9-1
9.1 Ordering Crafcoc Parts.....	9-1
9.2 Super Shot 60 Propane Trailer Melter Assembly 43300	9-2
9.3 Super Shot 60 Propane Skid Melter Assembly 50750.....	9-6
9.4 Tank Assembly, SS60 Propane	9-10
9.5 Control Box Assembly: PN 44075.....	9-12
9.6 Gas Manifold Assembly; PN 45592	9-14
9.7 Engine Assembly: PN 44310	9-16
9.8 Hydraulic Control Valve Assembly: PN 45420	9-18
9.9 Material Flow Control Assembly: PN 46060.....	9-19
9.10 Pump/Mixer Motor Assembly: PN 44832	9-20
9.11 Propane Burner Assembly: PN 43123	9-22
9.12 Hydraulic Diagram: PN 26535	9-24
9.13 Propane Schematic	9-28
9.14 Electrical Schematic	9-30
9.15 Wand Assembly PN 52200.....	9-32
10.0 Tools and Accessories	10-1

List of Figures

Fig. 5-1 Hydraulic Fluid Level and Temp. Gauge	5-2
Fig. 5-2 Heat Transfer Oil Dip Stick.....	5-2
Fig. 6-1 Lug bolt Tightening Sequence	6-2
Fig. 6-2 Temperature Control Calibration	6-3
Fig. 6-3 Heat Transfer Oil Drain and Fill Port	6-8
Fig. 6-4 Material Pump Replacement.....	6-9
Fig. 6-5 Removal of Motor Mount Assembly	6-10
Fig. 6-6 Supporting the Agitator Away from the Material Pump	6-11
Fig. 6-7 Unbolting the Material Pump.....	6-12
Fig. 6-8 Cleaning of the Pump Mounting Plate.....	6-13
Fig. 6-9 Pump Drive Shaft Dry Fit to Material Pump.....	6-14
Fig. 6-10 New Material Pump Mounting.....	6-15
Fig. 6-11 Agitator Shaft and Paddles Mounting.....	6-16
Fig. 6-12 Pump Shaft Placement	6-17
Fig. 6-13 Pump Shaft to Hydraulic Pump Motor Placement	6-18
Fig. 6-14 Agitator Connecting Link.....	6-19
Fig. 6-15 Agitator Chain Tightening Steps.....	6-20
Fig. 6-16 Switch Wire Location	6-22
Fig. 6-17 Wire Routing.....	6-22
Fig. 6-18 Terminal Block Wiring	6-23
Fig. 6-19 Actuator Spring Location.....	6-23
Fig. 6-20 Actuator / Assembly	6-24
Fig. 7-1 Standard Multimeter.....	7-2
Fig. 7-2 Clamp – On Amp Meter/Multimeter	7-3
Fig. 8-1 Propane Burner Schematic.....	8-7
Fig. 8-2 Checking Din Plug Voltage	8-15
Fig. 8-3 Mixer Schematic	8-16
Fig. 8-4 Hydraulic Valve Pressure Setting.....	8-18
Fig. 8-5 Din Plug Layout	8-19
Fig. 8-6 Junction Box Voltage Testing.....	8-22
Fig. 8-7 Hose Circuit Schematic.....	8-23

List of Figures

Fig. 8-8 Junction Box Wiring	8-24
Fig. 8-9 Pump Circuit Schematic.....	8-35
Fig. 9-1 Super Shot 60 Propane Trailer Melter: PN 43300	9-2
Fig. 9-2 Super Shot 60 Propane Skid Melter: PN 50750	9-6
Fig. 9-3 Tank Assembly: SS60 Propane.....	9-10
Fig. 9-4 Control Box Assembly: PN 44075	9-12
Fig. 9-5 Gas Manifold Assembly; PN 45592.....	9-14
Fig. 9-6 Engine Assembly: 44310	9-16
Fig. 9-7 Hydraulic Control Valve Assembly: PN 45420.....	9-18
Fig. 9-8 Material Flow Control Assembly: PN 46060	9-19
Fig. 9-9 Pump/Mixer Motor Assembly: PN 44832.....	9-20
Fig. 9-10 Propane Burner Assembly: PN 43123.....	9-22
Fig. 9-11 Hydraulic Diagram: PN 26535.....	9-24
Fig. 9-12 Propane Schematic.....	9-28
Fig. 9-13 Electrical Schematic.....	9-30
Fig. 9-14 Wand Assembly PN 52200	9-32

List of Tables

Table 2-1 Safety Symbols and Notices	2-4
Table 2-2 Safety Symbols and Notices (continued).....	2-5
Table 4-1 Machine Specifications	4-1
Table 5-1 Preparing the Machine for Start Up.....	5-1
Table 5-2 Starting the Burner.....	5-3
Table 5-3 Starting the Burner for Electric Hose (continued)	5-4
Table 5-4 Operating the Electric Hose	5-6
Table 5-5 Dispensing the Material	5-7
Table 5-6 Loading Material into the Sealant Tank.....	5-8
Table 5-7 Material Tank Depth Chart.....	5-9
Table 5-8 Shutting Down and Cleaning Out the Machine.....	5-10
Table 5-9 Hose for Transport Instructions.....	5-11
Table 5-10 Overnight Heater Use	5-12
Table 5-11 Mounting a Skid Machine.....	5-13
Table 5-12 Shot Timer Option.....	5-14
Table 5-13 Shot Timer Option (continued)	5-15
Table 6-1 Maintenance Chart.....	6-4
Table 6-2 Service Instructions.....	6-5
Table 6-3 General Maintenance Parts	6-5
Table 6-4 Recommended Spare Parts.....	6-6
Table 6-5 Recommended Fluids and Lubricants	6-6
Table 6-6 Applicable Brand of Heat Transfer Oil.....	6-7
Table 6-7 Changing the Heat Transfer Oil.....	6-8
Table 6-8 Material Pump Replacement.....	6-9
Table 6-9 Material Pump Replacement (continued)	6-10
Table 6-10 Material Pump Replacement (continued)	6-11
Table 6-11 Material Pump Replacement (continued)	6-12
Table 6-12 Material Pump Replacement (continued)	6-13
Table 6-13 Material Pump Replacement (continued)	6-14
Table 6-14 Material Pump Replacement (continued)	6-15
Table 6-15 Material Pump Replacement (continued)	6-16

List of Tables

Table 6-16 Material Pump Replacement (continued)	6-17
Table 6-17 Material Pump Replacement (continued)	6-18
Table 6-18 Material Pump Replacement (continued)	6-19
Table 6-19 Material Pump Replacement (continued)	6-20
Table 8-1 Basic Visual Troubleshooting	8-1
Table 8-2 Basic Visual Troubleshooting (continued)	8-2
Table 8-3 Burner Electrical Troubleshooting	8-3
Table 8-4 Burner Electrical Trouble shooting (continued)	8-4
Table 8-5 Burner Electrical Trouble shooting (continued)	8-5
Table 8-6 Burner Electrical Trouble shooting (continued)	8-6
Table 8-7 Burner Ignitor Proper Spacing and Function.....	8-8
Table 8-8 Checking the Spark Control Module	8-9
Table 8-9 Burner Flame Adjustment.....	8-9
Table 8-10 Burner Flame Adjustment (continue)	8-10
Table 8-11 Sealant is Heating Slowly	8-10
Table 8-12 Basic Visual Troubleshooting	8-11
Table 8-13 Mixer Electrical Troubleshooting	8-12
Table 8-14 Mixer Electrical Troubleshooting (continued)	8-13
Table 8-15 Mixer Electrical Troubleshooting (continued)	8-14
Table 8-16 Mixer Hydraulic Troubleshooting	8-17
Table 8-17 Basic Visual Hose Troubleshooting	8-20
Table 8-18 Hose Electrical Troubleshooting	8-20
Table 8-19 Hose Electrical Troubleshooting (continued)	8-21
Table 8-20 Trigger is Not Working.....	8-25
Table 8-21 RTD Sensor Ohms vs. Temperature	8-26
Table 8-22 RTD Sensor Ohms vs. Temperature (continued).....	8-27
Table 8-23 Basic Visual Pump Troubleshooting	8-28
Table 8-24 Pump Electrical Troubleshooting	8-29
Table 8-25 Pump Electrical Troubleshooting (continued)	8-30
Table 8-26 Pump Electrical Troubleshooting (continued)	8-31
Table 8-27 Pump Electrical Troubleshooting (continued)	8-32

List of Tables

Table 8-28 Pump Electrical Troubleshooting (continued)	8-33
Table 8-29 Pump Hydraulic Troubleshooting	8-34
Table 9-1 Super Shot 60 Propane Trailer Melter: PN 43300	9-3
Table 9-2 Super Shot 60 Propane Trailer Melter: PN 43300 (continued)	9-4
Table 9-3 Super Shot 60 Propane Trailer Melter: PN 43300 (continued)	9-5
Table 9-4 Super Shot 60 Propane Skid Melter: PN 50750	9-7
Table 9-5 Super Shot 60 Propane Skid Melter: PN 50750 (continued).....	9-8
Table 9-6 Tank Assembly: SS60 Propane	9-11
Table 9-7 Control Box Assembly: PN 44075	9-13
Table 9-8 Gas Manifold Assembly; PN 45592.....	9-15
Table 9-9 Engine Assembly: PN 44310	9-17
Table 9-10 Hydraulic Control Valve Assembly: PN 45420.....	9-19
Table 9-11 Material Flow Control Assembly: PN 46060	9-19
Table 9-12 Pump/Mixer Motor Assembly: PN 44832.....	9-21
Table 9-13 Propane Burner Assembly: PN 43123.....	9-23
Table 9-14 Hydraulic Diagram: PN 26535.....	9-25
Table 9-15 Hydraulic Diagram: PN 26535 (continued)	9-26
Table 9-16 Propane Schematic.....	9-29
Table 9-17 Electrical Schematic.....	9-31
Table 9-18 Wand Assembly PN 52200	9-33

Chapter 1 Introduction

1.0 About This Manual

This manual is supplied with each new CrafcO Super Shot 60 Propane Melter. The manual assists your machine operators in the proper use of the melter applicator and provides information about the machine's mechanical functions

Your CrafcO Super Shot 60 Propane Melter is specially made to give excellent service and save maintenance expense. However, as with all specially engineered equipment, you get best results at minimum cost if you:

Operate your machine as instructed in this manual.

Maintain your machine regularly as stated in this manual.

1.1 How to use this manual:

This manual is formatted to start each new chapter on the right page. There may be a blank page on the left page if the previous chapter ends on the right page.

If you are viewing this in a digital format (PDF) the following features are available:

1. The Table of Contents, List of Tables, and List of Figures are all hyperlinks, when left mouse clicked on section, table, or figure you will be sent to that page.
2. The blue highlighted text throughout the manual is a hyperlink, when left mouse clicked you will be sent to that page, table, or figure.
3. The panel to the left in the PDF is a bookmarks panel, if you left mouse click on any section/heading in the bookmarks panel you will be sent to that page.

Chapter 2 Safety

2.0 Safety Precautions

For more in-depth safety information, please see Safety Manual (PN 26221) which comes with the machine. Or contact your nearest authorized Crafcro Distributor at crafcro.com/Distributors.

2.1 General Safety

- Crafcro, Inc. assumes no liability for an accident or injury incurred through improper use of the machine.
- Read this manual thoroughly before operating the machine.
- Obey all CAUTION and WARNING signs posted on the machine.
- Make sure an operator fully knows how to operate the machine before using the machine.

2.2 Personal Safety

- The high operating temperatures of this machine and the sealant it contains requires that protective clothing, gloves, hard-soled shoes, and safety glasses or a face shield be worn at all times by operators of the machine.
- Prevent water from going into any part of the machine. If there is indication of water in the heat transfer oil system, warm heating oil to 250-300°F for 2 to 3 hours.
- Bodily contact with hot sealant or heat transfer oil can cause severe burns.
- If the mixer is not stopped before adding solid material, hot material can get on an operator's body and cause severe burns.
- Keep hands, feet, and clothing away from all moving parts.
- California Proposition 65
 - The state of California currently maintains a list of chemicals that can cause cancer, birth defects or other reproductive harm. Your Crafcro, Inc. equipment comes with the following warnings:

Chapter 2 Safety

2.3 Equipment or Operational Safety


- Do not operate the machine in buildings or work areas that do not have sufficient airflow.
- Shut-down the burner and the engine before refilling the fuel tank.
- Make sure mixer stops before adding solid material to the sealant tank. Lift the lid, place the material on the lid and close the lid. The mixer should restart automatically.
- Always keep a correctly maintained fire extinguisher near the machine and know how to use it.
- DO NOT heat transfer oil to a temperature of more than 525°F.
- DO NOT put too much heat transfer oil in the reservoir. The expansion of oil while it heats up can cause overflow. With the machine on level ground, check the oil each day before starting the burner. Add oil to the top mark on the dipstick if required (at 70°F). Use only recommended heat transfer oil. Change the oil after 500 hours of machine operation, or one year, whichever comes first.
- Follow the operating instructions for starting and shutting down the burner. Instructions are mounted on the control box on the machine.
- Calibrate the temperature control operation after each 50 hours of machine operation. Refer to section [6.11 Temperature control Calibration](#).
- Replace any hoses which show signs of wear, fraying or splitting.
- Make sure all fittings and joints are tight and do not leak each time the machine is used.
- Do not leave the machine unattended while the burner is lit.
- Tighten all bolts and screws every 100 hours of machine operation.

Chapter 2 Safety


2.4 California Proposition 65

The state of California currently maintains a list of chemicals that can cause cancer, birth defects or other reproductive harm. Your Crafcoc, Inc. equipment comes with the following warnings:

2.4.1 All Crafcoc, Inc. Equipment

 **WARNING:** Cancer and Reproductive Harm - www.P65Warnings.ca.gov
26471N

2.4.2 All Crafcoc, Inc. Equipment using a Non Diesel Engine

 **WARNING:** Breathing engine exhaust exposes you to chemicals known to the State of California to cause cancer and birth defects or other reproductive harm.

- Always start and operate the engine in a well-ventilated area.
- If in an enclosed area, vent the exhaust to the outside.
- Do not modify or tamper with the exhaust system.
- Do not idle the engine except as necessary.

For more information go to www.P65warnings.ca.gov/diesel.

26157

2.5 Towing or Driving for Transporting with Burner On

The burner in your Crafcoc machine is designed for operation only while the unit is parked or towed at slow speeds while applying sealant at a jobsite. When driving or towing this machine for transport, the burner shall be turned off. Operating the burner when transporting the machine is a violation of The Code of Federal Regulations, CFR Title 49, Part 392, Subpart G, 392.67 and may cause damage to the burner and/or machine.

CAUTION






The burner in your Crafcoc machine is designed for operation only while the unit is parked or towed at slow speeds while applying sealant at a jobsite. **When driving or towing this machine for transport, the burner shall be turned off.**

Chapter 2 Safety

2.6 Safety Symbols and Notices





Important safety symbols and notices are marked on the machine and in this manual. Failure to comply could result in equipment damage, operational malfunction, serious injury, or death. Please read and comply with all symbols and notices. The table below includes the most commonly used symbols and notices.

Table 2-1 Safety Symbols and Notices

Symbol	Item	Remarks
WARNING	Warning	Refers to possible bodily injury or death.
CAUTION	Caution	Refers to possible equipment damage or operational malfunction.
	Severe Burn Hazard	Hot material can cause severe burns.
	Protective Shoes	Wear hard-soled work shoes.
	Protective Gloves	Wear heat resistant gloves.
	Protective Face or Eye Wear	Wear face shield or safety glasses.
	Body Crush Hazard	Do not stand between trailer and hitch when hooking melter to truck.

Chapter 2 Safety

Table 2-2 Safety Symbols and Notices (continued)

Symbol	Item	Remark
	Crush Hazard	Keep feet and legs clear.
	Pinch Hazard	Keep hands and feet clear.
	Exhaust Hazard	Avoid breathing engine exhaust.
	Read Manual	Read and understand operator and safety manuals before operating machine.



Chapter 3 Warranty Information

3.0 Limited Warranty

CrafcO, Inc. (Manufacturer), or one of its affiliated distributors, will replace for the original purchaser free of charge any parts found upon examination by the Manufacturer, to be defective in material or workmanship. This warranty is for a period two years from invoice date, but excludes engine or components, tires, and battery as these items are subject to warranties issued by their manufacturers.

CrafcO, Inc. shall not be liable for parts that have been damaged by accident, alteration, abuse, improper lubrication/maintenance, normal wear, or other cause beyond our control.

The warranty provided herein extends only to the repair and/or replacement of those components on the equipment covered above and does not cover labor costs. The warranty does not extend to incidental or consequential damages incurred as a result of any defect covered by this warranty.

All transportation and labor costs incurred by the purchaser in submitting or repairing covered components must be borne by the purchaser. CrafcO, Inc. specifically disavows any other representation, warranty, or liability related to the condition or use of the product.

CAUTION

Use of replacement parts other than genuine CrafcO parts may impair the safety or reliability of your equipment and nullifies any warranty.

Chapter 3 Warranty Information

3.1 Warranty Claim Instructions

Crafco, Inc. warrants parts and machinery purchased through Crafco or one of its affiliated distributors for two years from purchased or in-service date. Wear items are not covered under the Crafco, Inc. limited warranty. A wear item is defined as, but not limited to: material pumps, sealing tips, tires, etc.

If parts fail to function within the two years of purchase, a return authorization number (RA) must be obtained. If the part was purchased through Crafco, Inc., please contact Crafco returns department at [Returns@Crafco.com](mailto>Returns@Crafco.com) for an RA number or if purchased through a Crafco distributor please contact your distributor.

Note: if the part has a serial number associated with it, for example; a machine or electric hose or wand, this must be furnished when requesting the RA number. The customer will be emailed or faxed an RA form with all instructions to return the item to Crafco, Inc. See example. If the part is found to be within the two year warranty period and has not been abused or modified, a credit will be issued to the customer's account or credit card. The customer may request the part be replaced instead of a credit, if desired.

Note: All engine warranties are covered through the engine manufacturer. If you need information for a distributor in your area please contact us and we will direct you to the closest engine distributor.

All parts returned are tested and evaluated. If the part has been modified in any way without prior consent from a Crafco, Inc. representative, warranty is void.

Please follow the instructions stated below when calling in a Warranty Claim. Failure to follow these procedures may be cause to void the warranty.

Call your local Crafco Distributor. If you do not know who your local distributor is, call a Crafco Customer Service Representative, (Toll Free 1-800-528-8242) for name, location and telephone number.

On contacting the distributor, be prepared to identify the serial number, model number, engine number, engine manufacturer, and the date of purchase if available.

Should the cause of the malfunction be a defective part, the Distributor will advise you of the procedure to follow for a replacement.

The warranty is valid only for parts, which have been supplied or recommended by Crafco, Inc.

If you have any additional questions regarding warranty repairs and parts, please do not hesitate to call toll free 1-800-528-8242.

For Warranty:
Crafco, Inc.
25527 South Arizona Avenue, Chandler, AZ
85248
Phone: (480) 655-8333 or (800) 528-8242
Fax: (480) 655-1712

For all other inquires:
Crafco, Inc.
6165 W Detroit St,
Chandler, AZ 85226
Phone: (602) 276-0406 or (800) 528-8242
Fax: (480) 961-0513
CustomerService@crafco.com

Chapter 4 Machine Specifications

4.0 Machine Specifications

Table 4-1 Machine Specifications

Specification	PN 43300	PN 50750
Vat capacity	60 gallons (227 liters)	
Melt Capacity	40 lbs. (18 kg) per hour	
Heat transfer oil required	21 gallons (79 liters) at 70°F	
Tank construction	Double boiler type	
Tank opening size	Single 12" (304 mm) x 15" (381 mm)	
Maximum heat input	180,000 BTUs	
Burner and temperature control	Vapor Propane Burner with Automatic Fail Safe	
Engine Kohler Model CH-20 Propane Fueled	Single cylinder 17.1 BHP @ 3600 RPM	
Drive Mechanism	All hydraulic with infinite speed forward and reverse on material pump. Fixed speed agitator.	
Mixer	Full sweep mixer with 2 horizontal paddles	
Axle Capacity	Single 3,200 lbs. (1451 kg)	N/A
Tires	(2) ST185/80 D13-4 ply rating (1,725 lbs. (782 kg) each)	N/A
Dry Weight Approximately	2,200 lbs. (997 kg)	
Propane Bottle (1)	100 lbs. (45 kg)	
Hydraulic Tank Capacity	26 Gallons (98 liters)	

Chapter 5 Operating Instructions


5.0 Operating Instructions

The Crafc Super Shot 60 Propane Melter was developed to melt Crafc sealants. However, it works well with most road asphalt and federal specification crack or joint sealants.

Note: DO NOT attempt to operate the machine without using these and all other instructions.

5.1 Preparing the Machine for Start Up

Table 5-1 Preparing the Machine for Start Up

Step	Action
1	Fill the propane tank.
2	Check the oil level in the engine crankcase. (Refer to the manufacturer's instruction for the engine.)
3	Check the hydraulic fluid level while at a temperature of 70°F. Add fluid if necessary. See Fig. 5-1 Hydraulic Fluid Level and Temp. Gauge
4	With the machine on level surface, check the heat transfer oil level while at a temperature of 70°F. The oil should be at the full mark on the dipstick. DO NOT overfill or spillage may occur when the oil is heated and expands. See Fig. 5-2 Heat Transfer Oil Dip Stick
5	Make sure all toggle switches are turned "OFF" and all temperature control dials are set to their minimum settings.
6	Remember that safe operation of this equipment is the operator's responsibility.
WARNING	
	<p>The safe operation of this machine is the operator's responsibility.</p> <p>Use extreme care when operating this machine; safety is the result of being careful and paying attention to details. Remember the propane flame is approximately 2,200°F. Some exposed parts of the machine reach 500°F, the sealant 400°F, and the hydraulic fluid 180°F.</p> <p>Always put on protective clothing, gloves, hard-soled shoes, and safety glasses or a face shield. Be sure that all joints and fittings are tight and leak proof. Immediately replace any hose, which shows any signs of wear, fraying, or splitting. Tighten all bolts, nuts, and screws every 100 hours.</p>

Chapter 5 Operating Instructions



Fig. 5-1 Hydraulic Fluid Level and Temp. Gauge

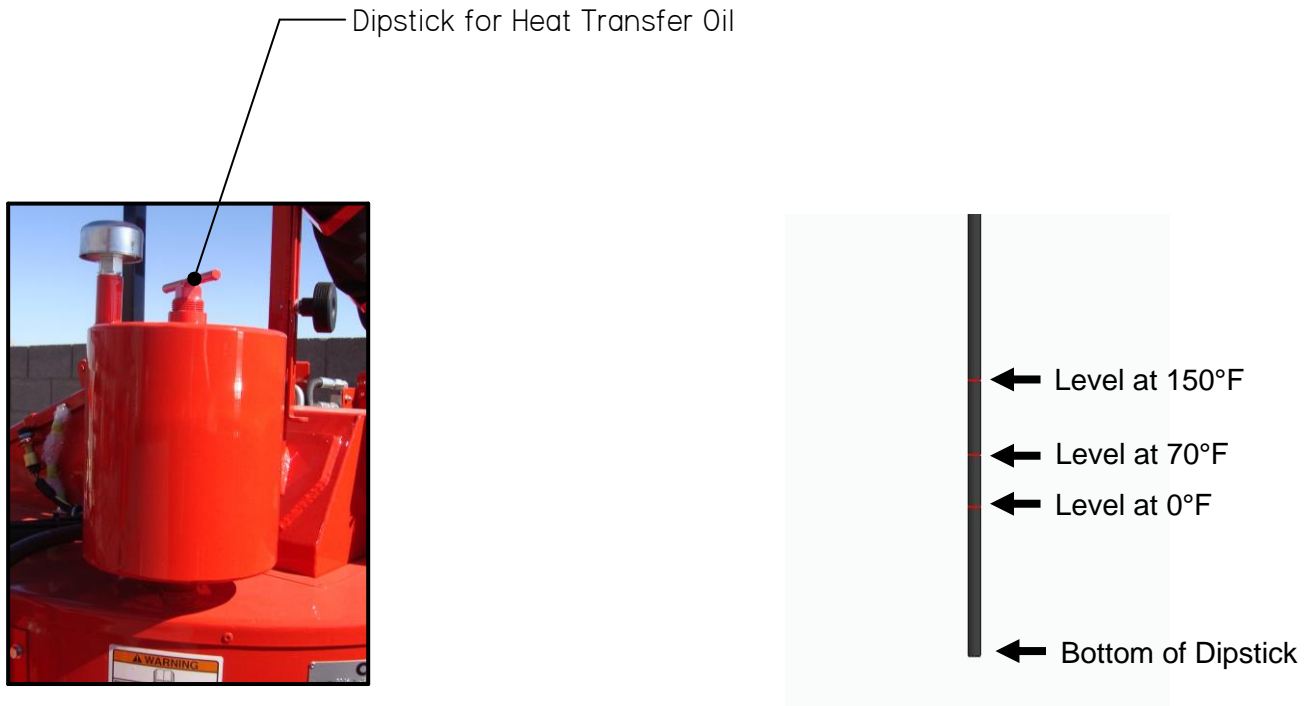


Fig. 5-2 Heat Transfer Oil Dip Stick

Chapter 5 Operating Instructions

5.2 Machine Start Up

Table 5-2 Starting the Burner

Step	Action
1	Open LPG tank valve.
2	Open line valve at cylinder.
3	Choke engine then turn the ignition key to start position. Engine should start. After engine starts, allow it to warm up before using hydraulics or generator. (Refer to the manufacturer's instructions for the engine)
4	Turn "POWER" toggle switch at control box "ON". Follow directions on the control box.
5	Set heat transfer oil temperature to 500°F.
6	Set the material temperature to the manufacturer's recommended temperature.
	CAUTION
	If the burner does not ignite the first time, turn the "POWER" toggle switch to the "OFF" position wait 30 seconds to allow un-ignited gas to disperse before trying again, then turn the toggle switch to "ON" again; the burner should ignite. If the burner still does not ignite, refer to 8.0.1 Symptoms: Burner will Not Ignite to determine the malfunction.
	Important: The solid material in the tank melts first around the walls, bottom, and around the center tower of the tank. The material temperature sensor is located by the wall, therefore, it is possible that at the beginning of the melting process the indicated temperature reaches operating value, but the material between to the center tower and the outside wall of the tank is still solid. This is normal, and when the heated hose is ready for operation, most of the material in the tank will be melted and heated to the proper application temperature.
7	Allow the heat transfer oil to continue to heat.
8	When the material reaches 275°F, engage the mixer by turning the toggle switch at the hydraulic control panel to "FORWARD" position. If the mixer does not move, allow the material to heat longer. Note: Mixer speed is preset at the factory and cannot be adjusted. The mixer cannot be engaged until the material reaches 275°F.
	CAUTION
	Jamming the mixer can cause the hydraulic oil to overheat and damage the machine.
9	The hose automatically turns "ON" when the material temperature reaches 275°F.
10	Adjust the hose temperature dial to the manufacturer's recommended temperature. Note: The hose reaches operating temperature in approximately 30 minutes.

Chapter 5 Operating Instructions

Table 5-3 Starting the Burner for Electric Hose (continued)

Step	Action
11	<p>After the hose reaches the temperature set point, the light in the control box marked "HEATED HOSE" turns off.</p> <p>Note: We recommend that you run the hose at the suggested temperature setting, see sealant product for this information.</p> <p>Important: The hose must reach 325°F before dispensing can take place. If the hose does not dispense when the trigger is activated, allow the material to heat longer. If the hose still does not dispense, shut the machine down, locate and remove the plug in the line.</p>
	<p style="text-align: center;">CAUTION</p> <p>DO NOT twist or kink the hose. Avoid sharp bends and continuous twisting by maintaining a minimum 10-inch bend radius. DO NOT use a setting on the hose controller if more than 400°F. DO NOT move or bend the hose when cold: it can cause damage to the hose. DO NOT leave the hose cycling for longer than 30 minutes without dispensing material; coking can occur and permanently damage the hose. DO NOT remove the hose from the boom during operation or kinking will occur.</p> <p>Important: It is strongly recommended that the hose be stored in the boom (locked position) when not in use or when in transit. This will prevent twisting or kinking.</p>

Chapter 5 Operating Instructions

5.3 About the Heated Hose, Wand, Valve, and Tip Guard

The Heated Hose

The heated hose supplied with the machine is Teflon-lined with steel over braid. It has a heating element, which runs the length of the hose to heat the material within the hose. The hose is covered with high temperature, durable rubber.

The Wand

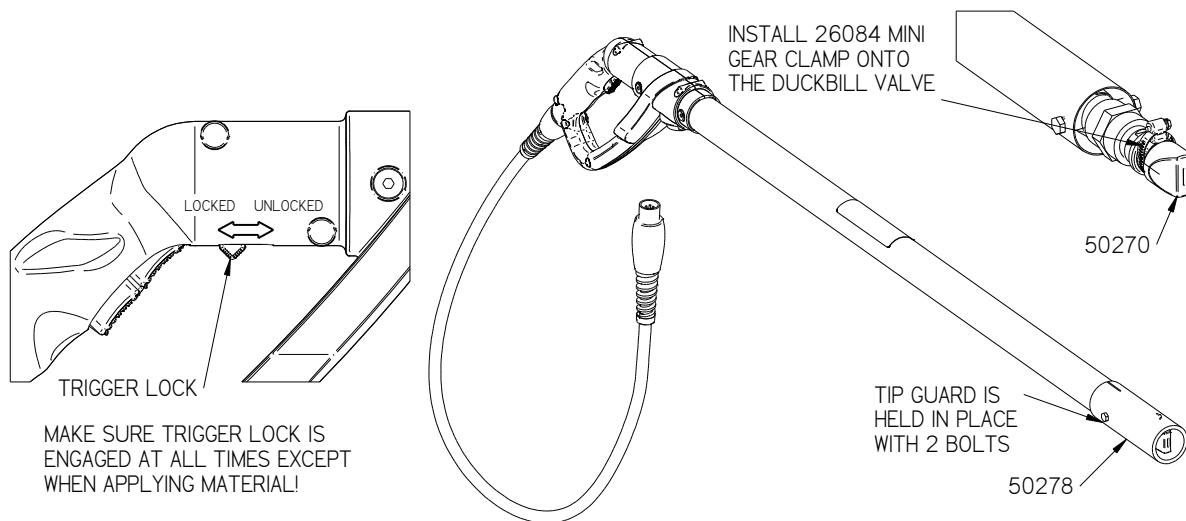
The wand has an aluminum tube to protect both the wand and the operator. The pistol grip actuator is equipped with an electric switch which, when depressed, sends a signal to actuate the pump. The wand is equipped with a trigger lock to prevent accidental pump actuation when it is not pumping material. The trigger must be in the "LOCKED" position at all times except when intentionally pumping material.

The Valve

The wand has a disposable duckbill valve on the end, which shuts off the flow of material when the pump is turned off and prevents excessive dripping of material. This valve also directs the material into a stream for easy application into the crack. Other sealing tips are available. See [10.0 Tools and Accessories](#) for other sealing tips and options.

Tip Guard

The wand has a Tip Guard installed at the factory only when a duckbill is installed. This Tip Guard is not required when using sealing disk or dripless tip adapter. The purpose of this guard is to prolong the life of the duckbill and to protect the operator in the event of a duckbill failure. Ensure this guard is installed properly before operating equipment. See below.



Chapter 5 Operating Instructions

5.4 Operating the Electric Hose


Table 5-4 Operating the Electric Hose

Step	Action
	CAUTION
	Twisting and kinking of the electric hose (used on SS60, SS125, and SS250 Melter) causes the hose to fail; the heating wires electrically short to the metal braid in the hose causing the hose to stop heating. Note: This type of failure is not covered under the CrafcO warranty.
1	Set the hose temperature at 380°F, or manufacturer recommended operating temperature.
2	Allow the hose to be turned on and heating for a minimum of 30 minutes.
3	Make sure the hose swivel between the hose and wand moves freely. Note: Do not twist or bend hose over sharp edges such as the edge of the frame or tank. CrafcO, Inc. recommends you do not work directly under the boom; this may cause damage to the hose.
4	Follow all machine instructions in this manual.

Chapter 5 Operating Instructions

5.5 Dispensing the Material

Table 5-5 Dispensing the Material

Step	Action
	WARNING
	<p>Put on protective clothing, gloves, hard-soled shoes, and face shield or safety glasses when operating or filling this machine. Read the entire manual before operating the machine.</p> <p>Never point the wand at any part of your body or at any other person. Hot materials can cause severe burns.</p>
	<p>Important: Some difficulty may be encountered when starting up on cold days. Although the wand is designed to heat the material all the way down to the tip, on cold days you can place the tip of the wand under the lid to facilitate material melting in the valve. Insert the wand tip for only a short time before proceeding.</p>
1	Allow the material to reach 380°F and the hose to reach 380°F; or proper operating temperatures
2	Turn the pump speed control to the lowest setting by turning the speed control knob fully clockwise.
3	With the wand tip inserted under the lid on top of the melter, depress the trigger on the wand and slowly increase the pump speed by turning the speed control knob counterclockwise until the pump motor starts to turn and material flows from the tip of the duckbill valve.
4	Adjust the pump speed to the desired rate of flow.
5	<p>Dispense the material as required.</p> <p>Note: The rate of flow can be varied while the pump is running by rotating the control knob.</p>

5.6 About the Active Screen Pump Protection

The pump is completely encircled by a protective screen. The screen prevents anything larger than ½ inch (1.27 cm) in size to pass from the sealant tank into the pump suction port. The screen continuously rotates 360 degrees around the pump whatever the sealant agitator is engaged. The active screen protects the pump from foreign object damage and self-cleans as it rotates around the sealant pump and suction port.

Chapter 5 Operating Instructions


5.7 Loading Material into the Sealant Tank

This unit is equipped with a safety interlock system on the loading door. This system disables the mixer hydraulic system when the lid is open. This is a safety feature for the operator and should never be disabled for any reason.

CAUTION

Personal injury could occur if this safety system is disabled.

Table 5-6 Loading Material into the Sealant Tank

Step	Action
	WARNING
	Following this procedure prevents hot material from getting on operators and causing severe burns. Never throw blocks of material directly into tank. Hot material splash hazard will result.
1	To load material into the sealant tank first open the lid. For approximate material volume see Table 5-7 Material Tank Depth Chart
2	Place the solid material on the lid then close the lid.
3	Continue adding solid material at intervals to allow the mixer to rotate without jamming. Note: If blocks of solid material are added too quickly, jamming results and slows down the melting process.
	Note: When sealant placement volume is low, or the crew has stopped working for lunch hot oil and material temperatures can equalize. To lower material temperature add a few blocks of cold sealant. This may not be an option if the tank is full.

Chapter 5 Operating Instructions

5.7.1 Material Tank Depth Chart

Table 5-7 Material Tank Depth Chart

DEPTH OF MATERIAL TANK	CAPACITY IN GALLONS BOTTOM UP	CAPACITY IN LITERS BOTTOM UP	CAPACITY IN GALLONS TOP DOWN	CAPACITY IN LITERS TOP DOWN
1	3.06	11.58	55.66	210.70
2	6.12	23.17	52.6	199.11
3	9.18	34.75	49.54	187.53
4	12.24	46.33	46.48	175.95
5	15.30	57.92	43.42	164.36
6	18.36	69.50	40.36	152.78
7	21.42	81.08	37.3	141.20
8	24.48	92.67	34.24	129.61
9	27.54	104.25	31.18	118.03
10	30.60	115.83	28.12	106.45
11	33.66	127.42	25.06	94.86
12	36.72	139.00	22	83.28
13	39.78	150.58	18.94	71.70
14	42.84	162.17	15.88	60.11
15	45.90	173.75	12.82	48.53
16	48.96	185.33	9.76	36.95
17	52.02	196.92	6.7	25.36
18	55.08	208.50	3.64	13.78
19	58.14	220.08	0.58	2.20
19.19	58.72	222.28	0	0

Chapter 5 Operating Instructions

5.8 Shutting Down and Cleaning Out the Machine

Table 5-8 Shutting Down and Cleaning Out the Machine

Step	Action
	CAUTION
	When shutting down the machine for the day, CrafcO recommends leaving the melter about half full with material. This will give a fairly rapid heat up rate in the morning, but allows enough material to start dispensing right away when the material becomes molten.
1	Leaving the hose in the boom, swing the boom clockwise towards the front of the machine and lock the boom into position with the latch provided.
	CAUTION
	DO NOT kink or twist the hose or permanent damage may result.
2	Place the wand in the wand holder and lock the wand into position with the latch provided.
3	Reverse the pump approximately 30 more seconds.
4	Turn the mixer toggle switch to the "CENTER" position.
5	Turn the "POWER" switch to the "OFF" position.
6	Stop the engine by turning the key to the "OFF" position.
7	Turn LPG off at the line valve and the valve at LPG bottle.

Chapter 5 Operating Instructions

5.9 Storing the Electric Hose for Transport

Table 5-9 Hose for Transport Instructions

Step	Action
1	Leave the hose in the boom, swing the boom clockwise towards the front of the machine and lock the boom into position with the latch provided.
2	Place the wand in the wand holder and lock the wand into position with the latch provided.
	<p style="text-align: center;">CAUTION</p> <p>Hose damage occurs if:</p> <ul style="list-style-type: none"> The hose is bent or moved when cold. The hose is twisted or bent at a sharp radius. The hose is moved before being heated a minimum of 30 minutes and set at 380°F. The operator crosses over or under the hose causing the wires between the hose and wand connection to twist or wrap up. The swivel is cold and is not flexible which can cause the hose to twist. The wiring between the hose and the wand is pulled, stressed, or used to support the wand.

Chapter 5 Operating Instructions

5.10 Overnight Heater Use

An overnight heater rod is available as an option. 24190 110V and 24194 220V. The overnight heater may be used to maintain an overnight heat transfer oil temperature of approximately 200-250°F (93.3°C)

Table 5-10 Overnight Heater Use

Step	Action
	<p style="text-align: center;">WARNING</p> <p>The overnight heaters are for overnight use only. If the overnight heater is used, the material must be dispensed the next day. If the material can't be dispensed, the machine needs to be heated to mixing temperatures, and agitated to prevent settling. If you don't dispense the material after 1 nights use, you risk damaging the material and possibly the machine due to settled material, which can harden in the bottom of the material tank.</p>
1	Attach the heater power cord to a suitable extension cord.
2	Attach the extension cord to its own outlet rated for 15 amps minimum.
	<p style="text-align: center;">WARNING</p> <p>Suitable extension cord size requirements for 110 Volt use: 25-50 FT • 16-20 Amps • 12 Gauge (Heavy Duty) or 10 Gauge (Extra Heavy Duty) 100 FT • 16-20 Amps • 10 Gauge (Extra Heavy Duty)</p> <p>Suitable extension cord size requirements for 220 Volt use: 25-50 FT • 8-10 Amps • 14 Gauge (Medium Duty) or 12 Gauge (Heavy Duty) 100 FT • 8-10 Amps • 12 Gauge (Heavy Duty)</p> <p>Failure to use the correct size extension cord could result in damage and possible fire!</p>
3	Disconnect the heater when using the machine's burner system.
	<p style="text-align: center;">CAUTION</p> <p>Do not use the heater without heat transfer oil in the tank. Doing so will overheat and damage the heater, and it will have to be replaced.</p>

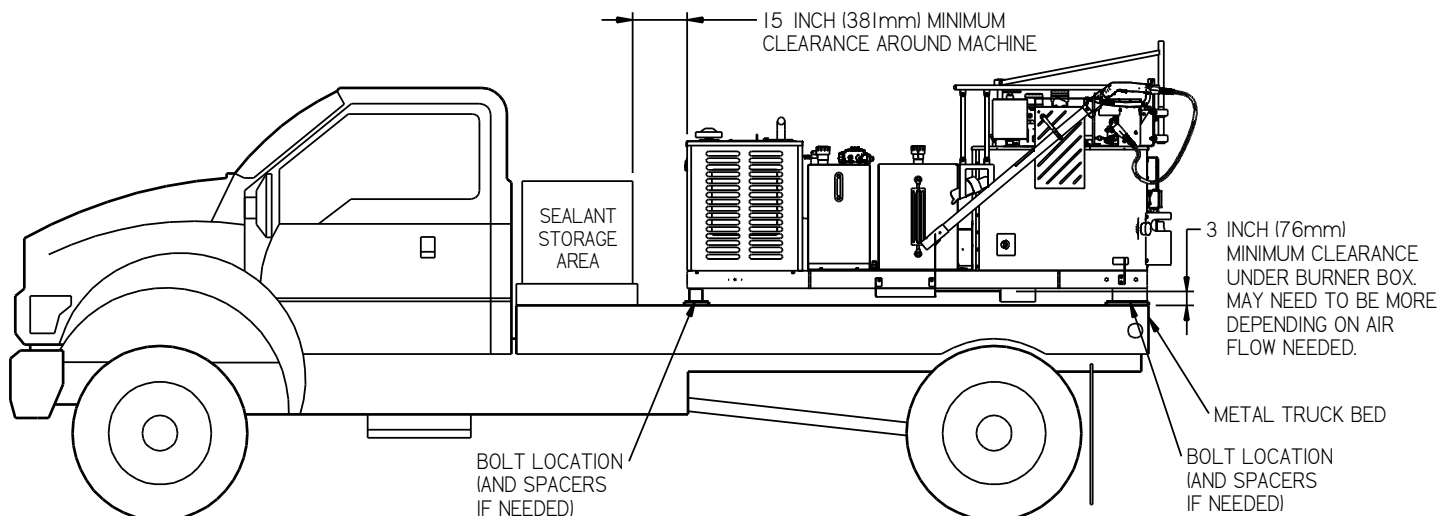
Chapter 5 Operating Instructions

5.11 Mounting a Skid Machine

Table 5-11 Mounting a Skid Machine

Step	Action
	<p style="text-align: center;">WARNING</p> <p>The truck needs to be of proper size to hold the loaded weight and size of the machine and any extra material to be carried. The center of gravity of the loaded machine should be above or in front of the rear main axle. Contact CrafcO for help in determining the location of the center of gravity of your machine before mounting.</p> <p style="text-align: center;">WARNING</p> <p>Only mount the unit to a metal truck bed or any other non-flammable surface that can support the weight of the machine.</p> <p>Failure to use the correct mounting surface could result in damage and possible fire!</p> <p style="text-align: center;">WARNING</p> <p>Mount the machine a minimum of 3" (76mm) above the truck bed. Depending on the machine and airflow, you may have to mount it higher to prevent excessive temperatures on the machine and truck bed.</p>
1	<p>Mount with four ½" diameter Grade 5 bolts (or 12mm Grade 10.9) minimum, using the loading tubes at each corner of the machine to secure it in place.</p>
	<p style="text-align: center;">WARNING</p> <p>Leave 15" (381mm) clearance around the machine. Keep this area clear of any flammable material such as empty sealant boxes.</p> <p>Failure to keep this area clear could result in damage and possible fire!</p>

TYPICAL SKID MOUNT GUIDELINES




Chapter 5 Operating Instructions

5.12 Shot Timer Option

This option is used to place marker adhesive on the road surface for raised reflective markers. This option will allow you to place the same shot size of material each time you pull the wand trigger. The steps listed below will tell you how to operate the shot timer option.

Table 5-12 Shot Timer Option

Step	Action
	<p style="text-align: center;">WARNING</p> <p>Put on protective clothing, gloves, hard-soled shoes, and face shield or safety glasses when operating or filling this machine. Read the entire manual before operating the machine.</p> <p>Never point the wand at any part of your body or at any other person. Hot materials can cause severe burns.</p> <p>Important: Some difficulty may be encountered when starting up on cold days. Although the wand is designed to heat the material all the way down to the tip, on cold days you can place the tip of the wand into the shoebox to facilitate material melting in the valve. Insert the wand tip for only a short time before proceeding.</p>
1	Allow the material to reach 380°F (139.3°C) and the hose to reach 380°F (139.3°C); or proper operating temperatures.
2	Locate the toggle switch inside the trigger control and shot timer box labeled “MODE” is toward the “CRACK SEAL” (It will be near the junction box).
3	Turn the pump speed control to the lowest setting by turning the speed control knob fully clockwise (Located on the boom base).
4	With the wand tip inserted in the shoebox on top of the melter, depress the trigger on the wand and slowly increase the pump speed by turning the speed control knob counterclockwise until the pump motor starts to turn and material flows from the tip of the duckbill valve.
5	Once the material is flowing properly release the wand trigger and change the toggle switch labeled “MODE” to “Marker”.

Chapter 5 Operating Instructions

Table 5-13 Shot Timer Option (continued)

Step	Action
6	Inside this shot timer box is a knob that controls how long the pump stays running each time you pull the trigger (1/4 to 5 seconds). CrafcO recommends setting the dial between ¼ and ½ for the shot size.
7	Use the pump speed control to make the final adjustment to the size of the shot needed for the job.
WARNING	
8	While in the “MARKER” mode the material pump turns for the duration of time set by the shot size dial. Once the wand trigger is pulled the pump will not stop until the time expires even if the wand trigger is released.
9	When the material flow stops the system is ready to be started again, release the wand trigger and pull the wand trigger when you are ready for the next shot.
10	At the end of the day use the pump reverse toggle switch located at the rear of the machine. Reverse the material pump for at least 30 seconds. Note: The pump mode does not change the way the pump reverse works.

5.12.1 Shot Timer Troubleshooting Manual

This option comes with an additional manual that covers troubleshooting; electrical schematic and parts break down. Please refer to this additional manual when needed. This manual is part number 38017N Shot Timer and Trigger Control Kit

Chapter 5 Operating Instructions

5.13 Storing the Machine

Store the machine in an area where moisture cannot enter the heating system such as the heat transfer oil tank, etc. Extended down time can cause moisture build up in the heating tank.

Evidence that moisture has collected in the heat transfer oil is a constant popping noise. If this popping noise is heard, warm the heat transfer oil to 300°F (149°C) for two to three hours to evaporate the moisture. Failure to follow this procedure will cause the heat transfer oil to overflow the tank resulting in possible machine damage and/or personal injury.

Best practice is to check in the material tank prior to starting the burner. If water is present, try and remove as much as possible. If the water is not noticed, heat the material to 300°F (149°C) for two to three hours to evaporate the moisture. Failure to follow this procedure will cause the material to overflow the tank resulting in possible machine damage and/or personal injury.

Store the machine for longer periods with the material tank empty.

Chapter 6 Maintenance Instructions

6.0 Maintenance Instructions

This chapter contains all normal maintenance instructions to properly maintain your machine.

6.1 Engine

Refer to the manufacturer's operating and maintenance instructions for the engine.

6.2 Hydraulic System

Check hydraulic fluid daily.

Change hydraulic filter every 250 hours of machine operation. Replace if necessary.

Change hydraulic fluid every 500 hours of operation.

6.3 Heat Transfer Oil

Check the oil level at the start of every day.

Change the oil every 500 hours of machine operation or 1 year, whichever comes first. Failure to follow this oil change interval will result in machine damage.

6.4 Wheel Bearing

Pack the wheel bearing every 24,000 miles (38,624 km) or every two years, whichever comes first. Use a good grade of bearing grease.

6.5 Material Sensor Tube

Check for heat transfer oil in tube every 50 hours of operation. 2 ounces required.

6.6 Cleaning Material Tank and Sensor Area

The material tank needs to be cleaned every year or as needed for proper operation. As the machine is used, material builds up around the tank walls and sensor guard. The built up material prevents heat from getting to the fresh material and causes longer heat up times. The built up material will also prevent the material temperature sensor from reading accurately because it becomes insulated from the fresh material. The coked material needs to be scraped or chipped from the tank walls. The area between the sensor and sensor guard needs to be cleaned also for proper temperature sensing. An air chisel with various sized blades usually works best to break up the material and remove it from the walls. Once the walls and sensor guard areas are cleaned, remove all the loose chunks from the tank, and vacuum out any smaller pieces.

6.7 Cleaning the Melter

We recommend using Orange-Sol industrial cleaner for cleaning the exterior of the machine. The cleaner can be found at the following website; <https://www.orange-sol.com/industrial-formula/>

Chapter 6 Maintenance Instructions

6.8 Lug Nuts

Torque all nuts/bolts before first road use and after each wheel removal. Check and torque after the first 10 miles (16 km), 25 miles (40 km), and again at 50 miles (80 km). Check periodically thereafter.

Torque in stages as follows:

First stage 20-25 foot-pound (ft-lb) (89-111 N)

Second stage 50-60 foot pound (ft-lb) (222-266 N)

Third stage 90-120 foot pound (ft-lb) (400-534 N)

Tighten bolts and nuts in the sequence shown in [Fig. 6-1 Lug bolt Tightening Sequence](#).

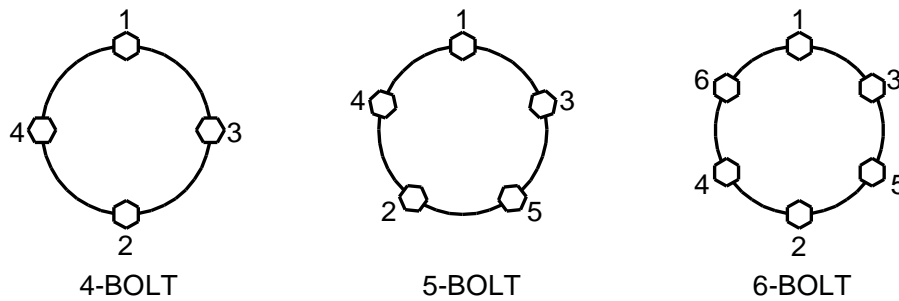


Fig. 6-1 Lug bolt Tightening Sequence

6.9 Brakes

Check the brakes daily.

6.10 Tongue Jack

Lubricate the tongue jack, using a good grade of bearing grease.

Chapter 6 Maintenance Instructions

6.11 Temperature control Calibration

Check the control knob calibration weekly. Calibrate by turning the knob counterclockwise. If the marks do not align, loosen screw in knob and align the line on the control knob with the calibration mark on the scale plate. (See [Fig. 6-2 Temperature Control Calibration](#))

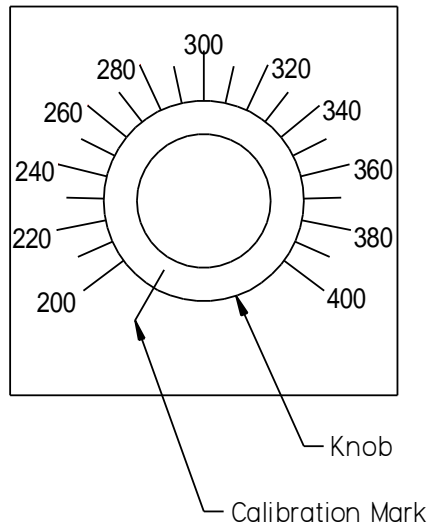


Fig. 6-2 Temperature Control Calibration

Chapter 6 Maintenance Instructions

6.12 Maintenance Chart

Table 6-1 Maintenance Chart

Possible Cause	Procedure	Hours			
		8	50	250	500
Engine check oil level	Refer to the manufacturer's instructions for the engine	X			
Other engine maintenance	Refer to the manufacture's operating and maintenance instructions for the engine.				
Material Sensor Tube	Check for HTO fluid		X		
	Add	As needed			
Heat Transfer Oil	Check	X			
	Change				X
Hydraulic Oil	Check	X			
	Change				X
Hydraulic Oil Filter	Change			X	
Burner	Check ignitor				X
	Check sensor wire.				X
	Check spark wire				X
Wheel Bearings	Clean and re-pack using a good grade of bearing grease	Every 24,000 (38,624 km) miles or two years			
Tongue Jack	Grease using a good grade of bearing grease.	Once a year			
Material Tank	Scrape out built up material in the material tank	Once a year or as needed			
Material Sensor Guard	Scrape out built up material around guard				X

For a list of parts required for maintenance see [Table 6-3 General Maintenance Parts](#).

Chapter 6 Maintenance Instructions

6.13 Service Instructions

Table 6-2 Service Instructions

Step	Action
1	Do a general inspection of the machine at least once a week.
2	Replace all worn or damaged parts. Note: Keep regular replacement items in stock for emergency repairs to prevent costly downtime. See Table 6-4 Recommended Spare Parts
3	Make necessary adjustments and tighten all loose nuts or screws.
4	Watch for leaks. Tighten fittings or repair as necessary.
5	Clean the external surfaces of the machine at regular intervals. Note: Refer to the material manufacturer's instructions for recommendations.
6	Follow the recommended maintenance per Table 6-1 Maintenance Chart

For service, find a list of authorized Distributors and service centers at CrafcO.com/Distributors.

6.14 General Maintenance Parts

Table 6-3 General Maintenance Parts

Quantity	Description	Part No.
1	LP Fuel Filter	55399
1	Oil Filter	44386
1	Air Filter	44387
1	Hydraulic Oil Filter Element	45438
Table 6-5	Hydraulic Oil	Table 6-5
Table 6-6	Heat Transfer Oil	Table 6-6

Chapter 6 Maintenance Instructions

6.15 Recommended Spare Parts

Table 6-4 Recommended Spare Parts

Quantity	Description	Part No.
1	Temperature Controller, Material	51672
1	Temperature Controller, Electric Hose	51691
1	Temperature Controller, Hot Oil	43391
1	Spark Control Module	25278
1	Ignitor Wiring Harness (Spark and Sensor Wires)	41600
1	Ignitor	43153
1	Electric Hose, 15'	52400

6.16 Recommended Fluids and Lubricants

Table 6-5 Recommended Fluids and Lubricants

Application	Recommended	Full Point
Engine Oil	Refer to engine manual	4 Pts. (1.9 l)
LPG	Propane Vapor Draw System	100 Lbs. (45 kg)
Hydraulic Oil	Shell AW Hydraulic 46	24 Gal (90 l)
Heat Transfer Oil	Shell Turbo T 68 (Group II)	23 Gal. (87 l)

Chapter 6 Maintenance Instructions

6.17 Applicable Brands of Heat Transfer Oil

Table 6-6 Applicable Brand of Heat Transfer Oil

Manufacturer	Product Name	Crafco Heat Transfer Fluid
Chevron	Heat Transfer Oil Grade 46	Shell Turbo T 68 (Group II)
Citgo	Hytherm Oil 46	Shell Turbo T 68 (Group II)
Conoco	Hydroclear Heat Transfer Oil	Shell Turbo T 68 (Group II)
Fina	Vulcan Heat Transfer Oil 46	Shell Turbo T 68 (Group II)
Lubrication Engineers	Heat Transfer Oil	Shell Turbo T 68 (Group II)
Exxon Mobile	Caloria HT 43	Shell Turbo T 68 (Group II)
Mobil	Mobiltherm 43	Shell Turbo T 68 (Group II)
Mobil	Mobiltherm 603	Shell Turbo T 68 (Group II)
Phillips 66	Heat Transfer Oil #3`	Shell Turbo T 68 (Group II)
Phillips 66	Magnus Oil 68	Shell Turbo T 68 (Group II)

CAUTION

The heat transfer oil in this machine is a grade that has been tested and recommended by Crafco, Inc. Using a grade of oil not specifically recommended by Crafco, Inc., is cause for warranties to be voided.

All oils subjected to high temperatures deteriorate with time and lose many of their characteristics. Tests conducted by Crafco, Inc. have determined that for best results and safety, the heat transfer oil in this machine must be drained and replaced with Crafco, Inc. recommended oil after five hundred (500) hours of machine operation or one (1) year, whichever occurs first.

6.18 Typical Heat Transfer Oil Specifications

ISO	68
Flash Point, COC	445°F
Viscosity @ 100°F-SUS	325
Viscosity @ 210°F-SUS	50
Viscosity Index	95-100
Pour Point	0°F
Carbon residue	1%

Chapter 6 Maintenance Instructions

6.19 Changing the Heat Transfer Oil

Table 6-7 Changing the Heat Transfer Oil

Step	Action
1	To facilitate easier draining of the heat transfer oil, heat the oil to approximately 100°F (38°C).
WARNING	
Wear proper PPE (safety glasses, face shield, gloves, long sleeve shirt) to prevent bodily injury while servicing the heat transfer oil.	
2	Locate the heat transfer oil drain plug on the underside of the melter directly below the material tank. See Fig. 6-3 Heat Transfer Oil Drain and Fill Port
3	Remove the pipe cap from the drainpipe with a pipe wrench and allow the oil to drain into an appropriately sized container. Note: It may be necessary to use a second wrench to keep the drainpipe from turning.
4	If oil fails to drain from the tank, this may be an indication that the oil has crystallized (coked up) inside of the drainpipe. Use a long screwdriver or steel rod to break up the hardened material from the drainpipe to allow the oil to flow. Note: Raise the front of the machine slightly to allow oil to flow towards the drainpipe.
5	As an alternative draining method, a 1/4" schedule 40 pipe attached to an oil pump, can be inserted through the expansion tank where the dipstick is located. The end of the pipe should be cut at a slight angle to prevent blocking of the pipe, so the oil can be pumped out. Make sure the pipe is long enough to go to the bottom of the tank.
6	After the oil has completely drained, replace the pipe cap onto the drainpipe and fill the tank to the correct level on the dipstick with a recommended oil that meets ISO 68 specification. See section 6.17 and 6.18 , Also see, Table 5-1 step 4 for checking HTO level.
CAUTION	
Do not overfill the heat transfer oil tank as the oil expands when heated and may overflow.	

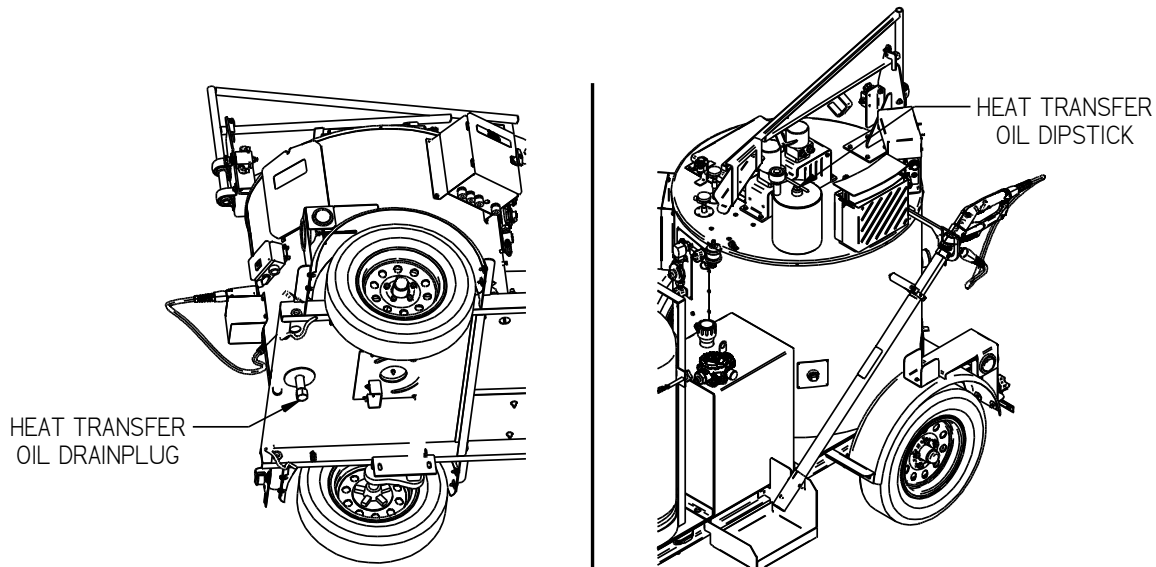


Fig. 6-3 Heat Transfer Oil Drain and Fill Port

Chapter 6 Maintenance Instructions

6.20 Material Pump Replacement

Table 6-8 Material Pump Replacement


Step	Action
1	Bring the melter to temperature as preparation to drain the sealant tank.
2	Remove the pipe cap located at the rear of the machine and drain the sealant tank.
	WARNING
	<p>The material in the sealant tank is extremely hot. Bodily contact with hot sealant can cause severe burns.</p> <p>The high operating temperatures of this machine and the sealant it contains require that protective clothing, gloves, hard-soled shoes, and safety glasses or a face shield be worn at all times by operators of the machine.</p>
3	Remove both guards from the motor mount to access the chain and the sprockets.
4	Rotate both the agitator and pump shafts until the connecting link and set screws are accessible. (See Fig. 6-4 Material Pump Replacement)



Fig. 6-4 Material Pump Replacement

Chapter 6 Maintenance Instructions

Table 6-9 Material Pump Replacement (continued)

Step	Action
5	Disassemble the connecting link and remove the drive chain.
6	Loosen the set screw in the lower coupling half located between the hydraulic motor and the material pump drive shaft.
7	Remove the four (4) hydraulic hoses and put caps on all the ports. Note: Mark the hoses for ease of replacement.
8	Remove the four (4) bolts holding the motor mount on top of the melter.
9	Lift off the motor mount and set aside.
10	Remove the pump drive shaft from the center of the agitator shaft.
11	Remove the two (2) bolts holding the agitator shaft bearing. Note: Do not remove the bearing from the agitator shaft.

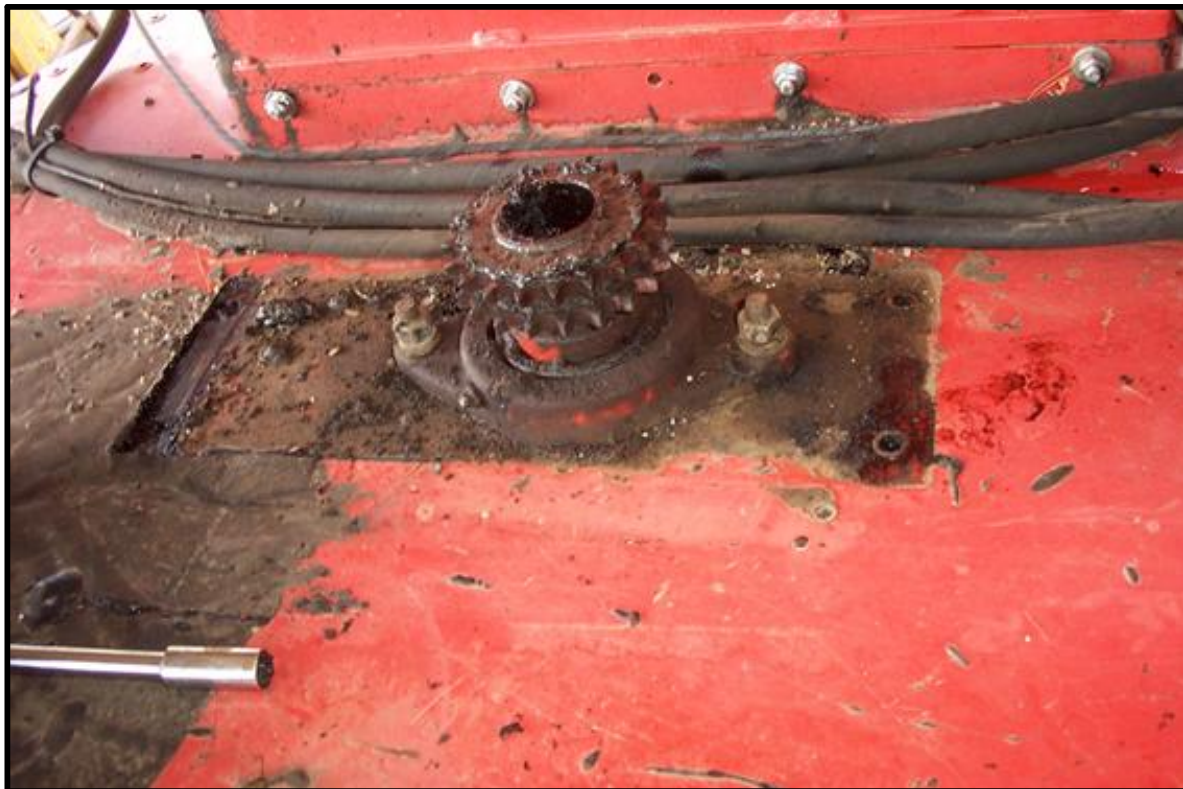


Fig. 6-5 Removal of Motor Mount Assembly

Chapter 6 Maintenance Instructions

Table 6-10 Material Pump Replacement (continued)

Step	Action
12	When the unit has cooled sufficiently, remove the six (6) bolts holding the paddles on top of the screen.
13	Remove the paddles from the tank.
14	Lift the agitator shaft and screen assembly as high as possible and insert a screwdriver into the shaft hole. Note: This will support the assembly while removing the pump from the tank.



Fig. 6-6 Supporting the Agitator Away from the Material Pump

Chapter 6 Maintenance Instructions

Table 6-11 Material Pump Replacement (continued)


Step	Action
15	Remove the six (6) bolts attaching the pump to the tank. Note: A clean pump was used in the figure below for clarity.
16	Lift the pump from the sealant tank.
	<p style="text-align: center;">WARNING</p> <p>Crush Hazard. The pump weighs approximately 90 pounds (40.8 kg). Take precautions not to drop the pump on any part of your body or pinch any part of your body between the pump and another object.</p>



Fig. 6-7 Unbolting the Material Pump

Chapter 6 Maintenance Instructions

Table 6-12 Material Pump Replacement (continued)

Step	Action
17	Clean any sealant from the top of the pump mounting plate and clean the shaft holes. (See Fig. 6-8 Cleaning of the Pump Mounting Plate)
CAUTION	
	Premature pump wear results if the pump mounting plate and bolt holes are not properly cleaned.



Fig. 6-8 Cleaning of the Pump Mounting Plate

Chapter 6 Maintenance Instructions

Table 6-13 Material Pump Replacement (continued)

Step	Action
18	Make sure that the pump shaft coupling fits correctly onto the new material pump before mounting the material pump inside the tank. Also make sure the pump spins freely.



Fig. 6-9 Pump Drive Shaft Dry Fit to Material Pump

Chapter 6 Maintenance Instructions

Table 6-14 Material Pump Replacement (continued)

Step	Action
18	<p>Make sure the 1" material port matches the 1" hole in the pump plate; there should be an alignment pin in the pump plate to insure the correct positioning. Use new hardware to secure the material pump to the pump plate (6) 3/8"-16 x 5" bolt with (6) 3/8" lock washer. Torque these six bolts at 33 lb-ft.</p> <p>Note: Make sure the material pump shaft spins freely after torquing these bolts.</p>



Fig. 6-10 New Material Pump Mounting

Chapter 6 Maintenance Instructions

Table 6-15 Material Pump Replacement (continued)

Step	Action
19	CrafcO, Inc. recommends that you use a new screen assembly to ensure the agitator and paddles have good threads to secure with, along with new hardware. (See Fig. 6-11 Agitator Shaft and Paddles Mounting)
20	Remove the paddles from the old screen assembly and bolt them to the new screen assembly, using (6) ½"-13 x 1" bolts with (6) ½" grade 8 washers. The use of Loctite on the threads before assembling is also recommended.
21	Place the material screen and paddle assembly onto the material pump. Lower the agitator shaft down onto the screen assembly and secure it with (4) ½"-13 x 1" bolts with (4) ½" grade 8 washers. The use of Loctite on the threads before assembling is also recommended.



Fig. 6-11 Agitator Shaft and Paddles Mounting

Chapter 6 Maintenance Instructions

Table 6-16 Material Pump Replacement (continued)

Step	Action
22	Secure the agitator bearing using new hardware (2) ½" grade 8 washers, (2) ½" lock washer and (2) ½-13 hex nut. Note: Make sure the agitator spins freely at this point.
23	Place the pump shaft into the agitator shaft. You might need to spin the pump shaft to get the keyway in the pump shaft coupling to align with the material pump shaft Note: Make sure the when the pump shaft spins the material pump spins as well.



Fig. 6-12 Pump Shaft Placement

Chapter 6 Maintenance Instructions

Table 6-17 Material Pump Replacement (continued)

Step	Action
24	Place the motor mounting bracket back into place, using new hardware (4) 5/16"-18 x 1" bolt and (4) 5/16" lock washer.
25	Slide the pump shaft onto the hydraulic motor shaft and tighten the set screws.



Fig. 6-13 Pump Shaft to Hydraulic Pump Motor Placement

Chapter 6 Maintenance Instructions

Table 6-18 Material Pump Replacement (continued)

Step	Action
26	Loosen the four bolts holding the agitator hydraulic motor in place and slide it towards the material pump hydraulic motor.
27	Using a new chain assembly, wrap the double chain around both sprockets, with the master link provided with the chain.
28	Insert the master link from below up through the chain assembly first row, then add two spacers, then push the master link through the second row of the double chain, then add the last spacer and the locking clip.



Fig. 6-14 Agitator Connecting Link

Chapter 6 Maintenance Instructions

Table 6-19 Material Pump Replacement (continued)

Step	Action
29	Slide the agitator hydraulic motor away from the material pump hydraulic motor to tighten the agitator chain and then tighten the (4) bolts that hold the agitator hydraulic motor in place.
30	Place both chain guards back into place and replace all four of the hydraulic hoses.

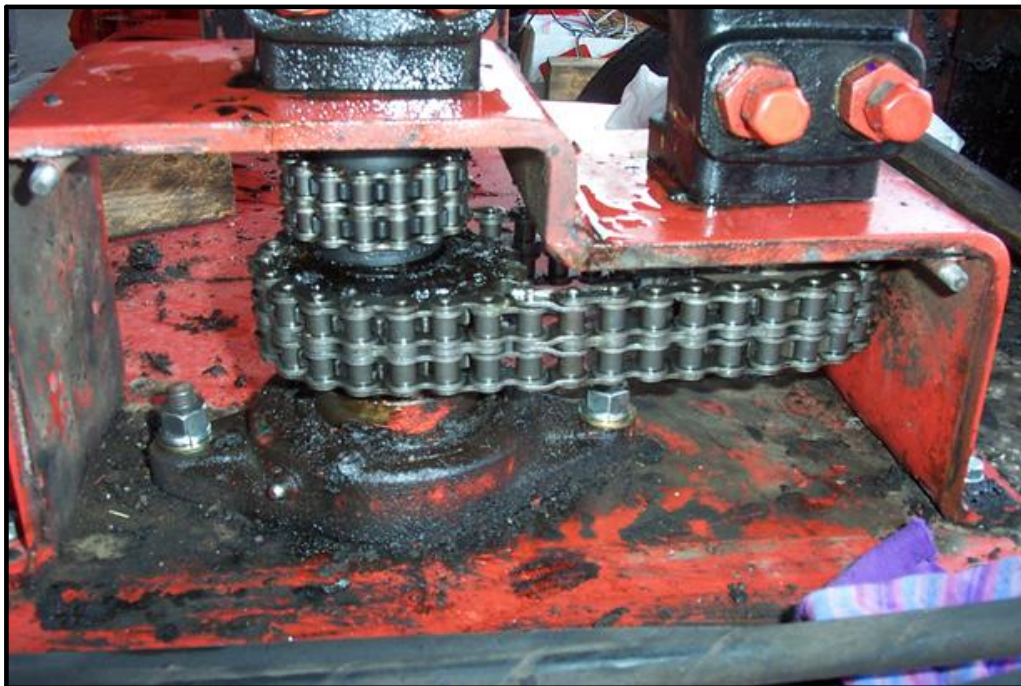


Fig. 6-15 Agitator Chain Tightening Steps

Chapter 6 Maintenance Instructions

6.21 Wand Repair Instructions

The following sections will address how to replace the wand handle, wand cable, switch, and terminal block of the 52200 wand assembly. Actuator, actuator lock, and spring can also be replaced. See section [Table 9-18 Wand Assembly PN 52200](#) for parts breakdown.

6.21.1 Cable Replacement

1. Disconnect the cable from the electric hose. Lay wand on flat surface with socket head screws facing up.
2. Remove (7) #10-32 x 1" socket head screws and (2) 1/4-20 x 1/2" socket head screws.
3. Carefully remove top handle half. **Caution:** Actuator pin may lift actuator and spring from bottom handle half. Do not loose spring or pin.
4. Remove red and orange wire from switch.
5. Remove green, white, and black wires from terminal block.
6. Remove cable from handle.
7. Replace cable in handle. Note: Look for flats on strain relief of cable that correspond to flats on handle.
8. Install red wire on top of switch (see [Fig. 6-16 Switch Wire Location](#)), then install orange wire on (NO) terminal (top rear of switch).
9. Strip green, white, and black wires 3/8" and twist wires strands then install (**Note** white black wire is routed under switch see [Fig. 6-17 Wire Routing](#)) on open terminals of terminal block. Make sure to install completely under the clamp before tightening screws. Torque screws to 16 in-lbs. Bend all (3) wires over the top of terminal block (see [Fig. 6-18 Terminal Block Wiring](#)).
10. Replace top wand handle half.
11. Use blue Loctite® on all external handle screws before installation. Install (7) #10-32 x 1" socket head screws hand tight, then Install (2) 1/4-20 x 1/2" socket head screws hand tight. Now torque all #10-32 screws to 12 in-lbs. and all 1/4-20 screws to 25 in-lbs.
12. Reconnect cable to electric hose.

6.21.2 Switch Replacement

1. Follow steps 1-4 from [6.21.1](#) above.
2. Remove (2) #4-40 x 1/2" pan head screws from switch, then remove switch from handle.
3. See [Fig. 6-19 Actuator Spring Location](#) and [Fig. 6-20 Actuator / Assembly](#) for proper assembly of actuator to switch.
4. Replace switch and install (2) #4-40 x 1/2" screws and tighten.

Follow Steps 10-12 from [6.21.1](#) above

6.21.3 Terminal Block Replacement

1. Follow steps 1-4 from [6.21.1](#) above.
2. Remove (2) #10-32 x 5/8" round head machine screw from terminal block then remove terminal block from handle.
3. Replace terminal block and install (2) #10-32 x 5/8" screws and tighten.
4. Follow steps 10-12 from [6.21.1](#) above. If actuator, pin, and spring need to be reinstalled see [Fig. 6-19 Actuator Spring Location](#) and [Fig. 6-20 Actuator / Assembly](#).

Chapter 6 Maintenance Instructions**6.21.4 Wand Handle Replacement**

1. Follow steps 1-6 from 6.21.1 above.
2. Remove actuator, actuator lock, pin, and spring.
3. Remove (2) #4-40 x 1/2" pan head screws from switch, then remove switch from handle.
4. Remove (2) #10-32 x 5/8" round head machine screw from terminal block then remove terminal block from handle.
5. Flip wand over and remove the remaining (2) 1/4-20 x 1/2" screws from the handle. Remove handle from wand tube.
6. Install new handle by reversing previous steps.

**Fig. 6-16 Switch Wire Location****Fig. 6-17 Wire Routing**

Chapter 6 Maintenance Instructions



Fig. 6-18 Terminal Block Wiring

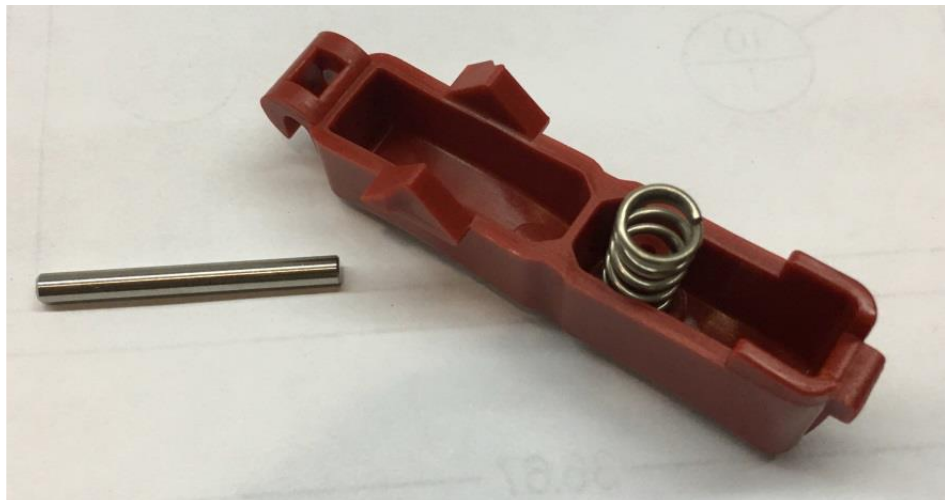


Fig. 6-19 Actuator Spring Location

Chapter 6 Maintenance Instructions

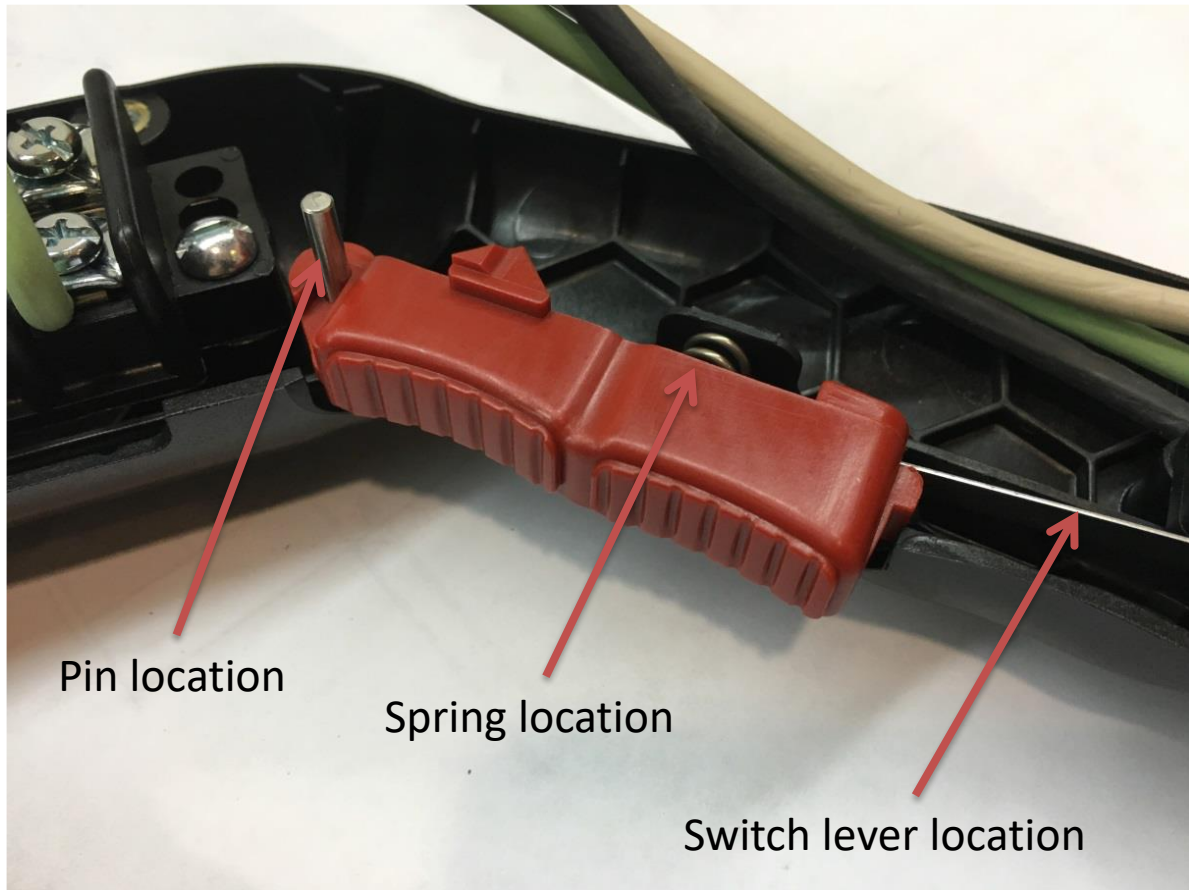


Fig. 6-20 Actuator / Assembly

Chapter 7 How to Use a Multimeter

7.0 How to Use a Multimeter

Melters use 12-volt direct current (DC) to power the burner, hydraulic valves, and trigger on electric wand. The DC power is from a 12-volt battery.

The electric hose and wand uses 24-volt 3-phase alternating current (AC). The AC power is from the generator which hangs under the radiator. This system has no reference to ground so there is no possibility of electrical shock unless you are between 2 of the phases. **NOTE: ONLY CHECK AMPERAGE ON A HOSE WITH A CLAMP-ON AMP METER.** (See [Fig. 7-2 Clamp – On Amp Meter/Multimeter](#))

12-volt DC power has little danger of electrical shock. Care must still be taken when dealing with DC power systems because it is capable of producing large amounts of current.

7.1 Checking DC Voltage with a Multimeter

Connect the probes to the meter.

Set the range to a position that includes 12-volts or higher.

Touch the red probe to the positive side of accessory and black probe to ground. If the item you are checking has a ground wire attached then use that ground or you can use a non-painted surface on the frame.

7.2 Checking AC Voltage with Multimeter

Connect the probes to the meter (See [Fig. 7-1 Standard Multimeter](#)).

Set range to a position that includes 24-volts or higher.

There are three steps to test the generator voltage. All 3 values should be in the range of 24-30 volts AC.

- Touch red probe to the white wire of the generator and the black probe to the green wire of the generator.
- Next move black probe to black wire.
- Then move red probe to green wire.

7.3 Checking Resistance (Ohms)

Connect probes to the meter (See [Fig. 7-1 Standard Multimeter](#)).

Note: When checking Ohms the circuit cannot be completed. This means one end of the wire will need to be disconnected.

7.3.1 How to Check Wire Continuity

Set the meter to “Audible Continuity”.

Now touch the probe to each end of the wire in question. The meter will read “0” on the screen and make an audible beep if the wire has continuity from end to end.

7.3.2 How to Check RTD Sensor

Set to dial Ohms Ω . If your meter has different ranges set to 2K or 2000 ohm range.

Touch one probe to each screw or wire of the sensor. The meter will read X.XX if in the 2K range or XXX.X if in the 2000 range.

Chapter 7 How to Use a Multimeter

7.4 Checking Amperage

The Multimeter can be used to check amperages under 10 amps in AC or DC current. When checking the amperage of the electric hose **always use a clamp-on amp meter**. (See Fig. 7-2 Clamp – On Amp Meter/Multimeter) The amperage in the hose can reach as high as 35 amps. Clamp the meter around one wire at a time. Remember most clamp-on meters do not work on DC current.



Fig. 7-1 Standard Multimeter

Chapter 7 How to Use a Multimeter

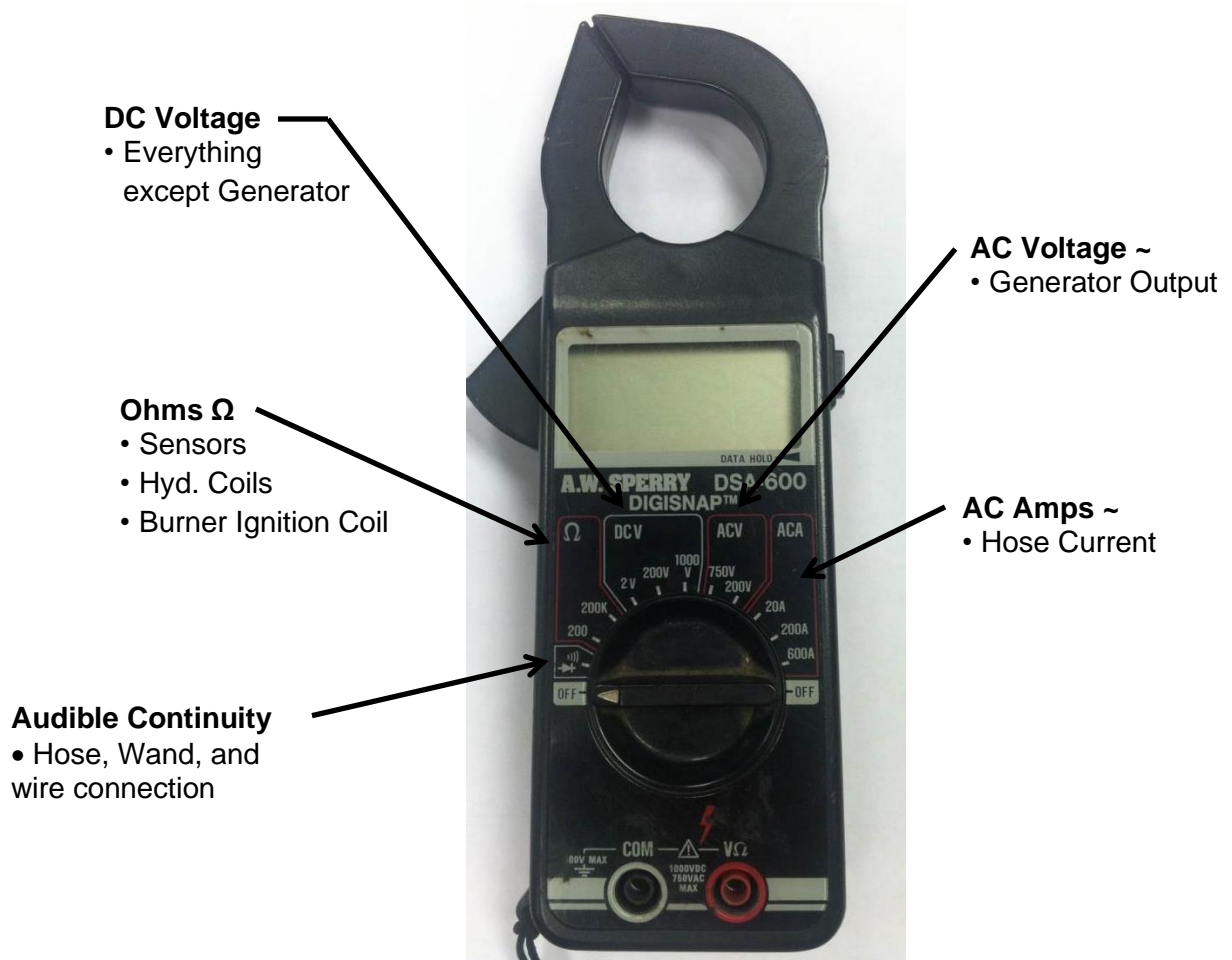


Fig. 7-2 Clamp – On Amp Meter/Multimeter

Chapter 8 Troubleshooting

8.0 Burner Troubleshooting

8.0.1. Symptoms: Burner will Not Ignite

Note: Use [Fig. 8-1 Propane Burner Schematic](#) while troubleshooting the burner electrical system.

Table 8-1 Basic Visual Troubleshooting

Step	Possible Cause	If . . .
1	Start Troubleshooting at the control box. Is the Kohler engine running?	<ul style="list-style-type: none"> • Yes, go to Step 2. • No, start the Kohler engine. • Note: You can troubleshoot the burner without the engine running, but you must connect a battery charger to the battery and the main power toggle switch must be in the "ON" position.
2	Is the "POWER" toggle switch in the "ON" position?	<ul style="list-style-type: none"> • Yes, go to Step 3. • No, turn the toggle switch to the "ON" position.
3	Are both the Material and Hot Oil temperature dials set to proper operating temperatures?	<ul style="list-style-type: none"> • Yes, go to Step 4. • No, set the Material according to the type of sealant you are using and the Hot Oil 100°F above the Material set point.
4	Are both the Material and Hot Oil temperature displays reading a three digit positive number?	<ul style="list-style-type: none"> • Yes, go to Step 5. • No, go to Table 8-3 Burner Electrical Troubleshooting, Step 1.
5	Is the red "Burner" light "ON"?	<ul style="list-style-type: none"> • Yes, go to Step 6. • No, go to Table 8-3 Burner Electrical Troubleshooting, Step 1.
6	Is amber light "ON" on the din plug located on the propane valve?	<ul style="list-style-type: none"> • Yes, go to Step 7. • No, go to Table 8-3 Burner Electrical Troubleshooting, Step 1.
7	Is the propane tank full?	<ul style="list-style-type: none"> • Yes, go to Step 8. • No, fill your tank or make sure you have enough fuel for the day.
8	Is the valve on the propane tank open?	<ul style="list-style-type: none"> • Yes, go to Step 9. • No, open valve to allow propane to flow to the ball valve on the hose.

Chapter 8 Troubleshooting

Table 8-2 Basic Visual Troubleshooting (continued)

Step	Possible Cause	If ...
9	Is the ball valve in the open position on the propane hose attached to the propane bottle?	<ul style="list-style-type: none"> • Yes, go to Step 10. • No, open valve to allow propane to flow to both the engine and burner.
10	Is your burner working properly, but it seems like it takes a lot longer to reach operating temperature?	<p>Yes, go to Table 8-11 Sealant is Heating Slowly</p> <ul style="list-style-type: none"> • No, Call Crafco, Inc. and speak to a customer service technician.

Chapter 8 Troubleshooting

Table 8-3 Burner Electrical Troubleshooting

Step	Possible Cause	If . . .
1	Is there 12Vdc between the positive and negative posts on the battery?	<ul style="list-style-type: none"> • Yes, go to Step 2 • No, charge the 12V battery or replace.
2	Is there 12Vdc between the “RED-PWR” wire on the terminal block left side fifth terminal from the bottom inside the control box and a nearby ground?	<ul style="list-style-type: none"> • Yes, go to Step 3. • No, check the length of the RED-PWR wire for possible damage.
3	Is there 12Vdc between the “RED-2” wire on the terminal block right side fifth terminal from the bottom inside the control box and a nearby ground?	<ul style="list-style-type: none"> • Yes, go to Step 4. • No, make sure the RED-2 wire is completely inserted into the terminal block.
4	Is there 12Vdc between the RED-2 wire on the circuit breaker inside the control box and a nearby ground?	<ul style="list-style-type: none"> • Yes, go to Step 5. • No, check for loose or broken RED-2 wire between terminal block and the circuit breaker.
5	Is there 12Vdc between the RED-3 wire on the circuit breaker inside the control box and a nearby ground?	<ul style="list-style-type: none"> • Yes, go to Step 6. • No, make sure the circuit breaker is pushed in. • If still no voltage then replace circuit breaker.
6	Is there 12Vdc between the RED-3 wire on the power toggle switch inside the control box and a nearby ground?	<ul style="list-style-type: none"> • Yes, go to Step 7. • No, check for loose or broken RED-3 wire between the circuit breaker and the power toggle switch.
7	Is there 12Vdc between the ORN-2 wire on the power toggle switch when the toggle switch is in the “ON” position and a nearby ground?	<ul style="list-style-type: none"> • Yes, go to Step 8. • No, replace the power toggle switch.
8	Is there 12Vdc between the ORN-2 wire on the Hot Oil Pakstat terminal #3 and the ground BLK-5 wire on the Hot Oil Pakstat terminal #4?	<ul style="list-style-type: none"> • Yes, go to Step 9. • No, check for loose or broken ORN-2 wire between the power toggle switch and the Hot Oil Pakstat terminal #3 along with the BLK-5 ground wire.

Chapter 8 Troubleshooting

Table 8-4 Burner Electrical Trouble shooting (continued)

Step	Possible Cause	If . . .
9	Is there 12Vdc between the ORN-2 wire on the terminal block left side tenth terminal from the bottom inside the control box and a nearby ground?	<ul style="list-style-type: none"> • Yes, go to Step 10. • No, check the length of the ORN-2 wire for possible damage.
10	Is there 12Vdc between the ORN-1 wire on the terminal block right side tenth terminal from the bottom inside the control box and a nearby ground?	<ul style="list-style-type: none"> • Yes, go to Step 11 • No, make sure the ORN-1 wire is completely inserted into the terminal block.
11	Is there 12Vdc between ORN-1 wire on the Material Pakstat terminal #9 and the ground BLK-4 wire on the Material Pakstat terminal #8?	<ul style="list-style-type: none"> • Yes, go to Step 12. • No, check for loose or broken ORN-1 wire between the terminal block and the Material Pakstat terminal #9 along with the BLK-4 ground wire.
12	Is there 12Vdc between ORN-1 wire on the Material Pakstat terminal #1 and the ground BLK-4 wire on the Material Pakstat terminal #8?	<ul style="list-style-type: none"> • Yes, go to Step 13. • No, check for loose or broken ORN-1 wire between the terminal block and the Material Pakstat terminal #1 along with the BLK-4 ground wire.
13	Is there 12Vdc between ORN-1 wire on the Material Pakstat terminal #3 and the ground BLK-4 wire on the Material Pakstat terminal #8?	<ul style="list-style-type: none"> • Yes, go to Step 14. • No, check for loose or broken ORN-1 wire between the terminal block and the Material Pakstat terminal #3 along with the BLK-4 ground wire.
14	Is there 12Vdc between GRY-4 wire on the Material Pakstat terminal #4 and the ground BLK-4 wire on the Material Pakstat terminal #8?	<ul style="list-style-type: none"> • Yes, go to Step 15. • No, check for loose or broken GRY-4 wire between the terminal block and the Material Pakstat terminal #4 along with the BLK-4 ground wire. • If still no voltage then replace the Material Pakstat.
15	Is there 12Vdc between the GRY-4 wire on the terminal block right side first terminal from the top inside the control box and a nearby ground?	<ul style="list-style-type: none"> • Yes, go to Step 16. • No, check the length of the GRY-4 wire for possible damage.

Chapter 8 Troubleshooting

Table 8-5 Burner Electrical Trouble shooting (continued)

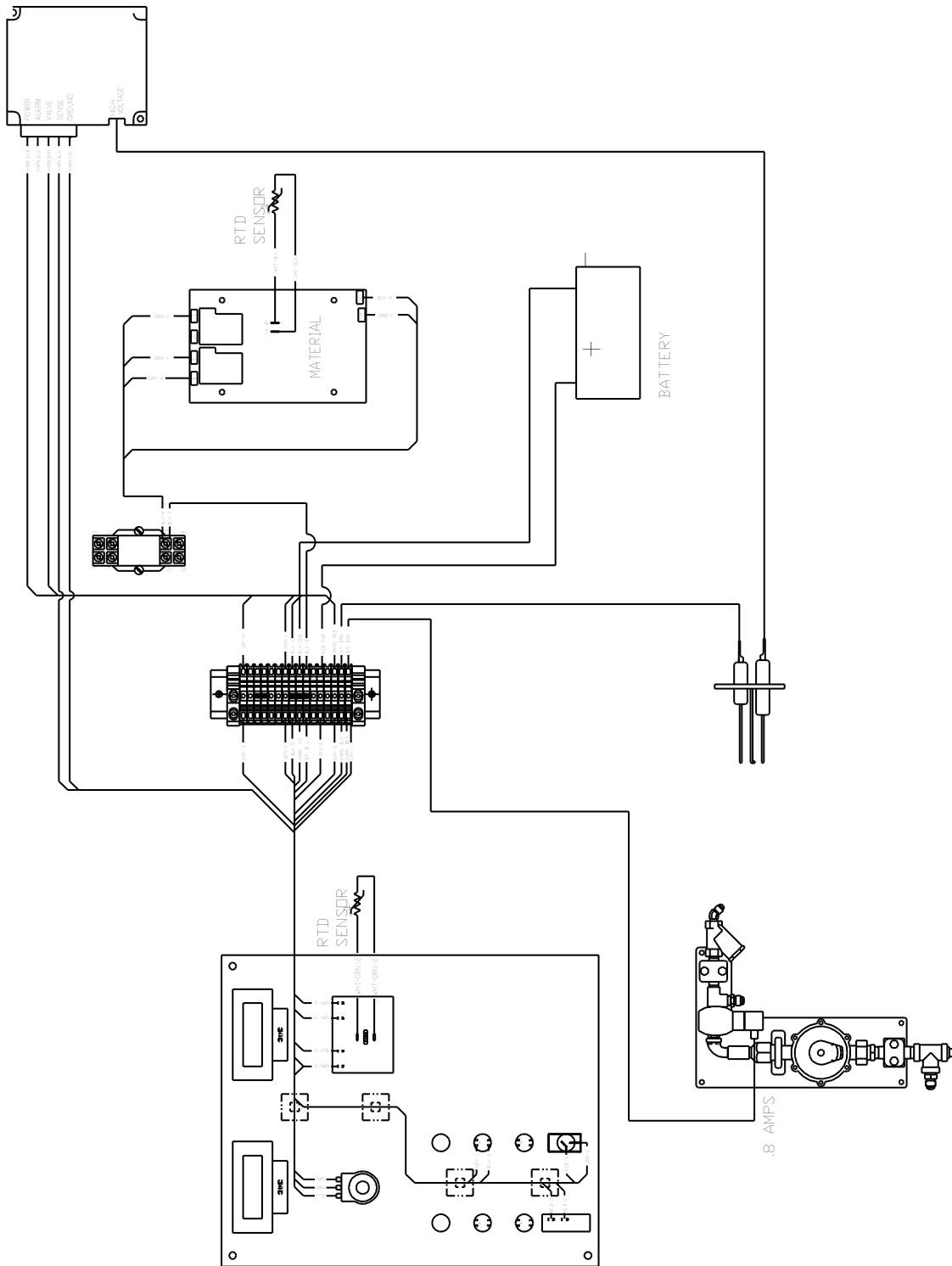
Step	Possible Cause	If . . .
16	Is there 12Vdc between the GRY-3 wire on the terminal block left side first terminal from the top inside the control box and a nearby ground?	<ul style="list-style-type: none"> • Yes, go to Step 17. • No, make sure the GRY-3 wire is completely inserted into the terminal block.
17	Is there 12Vdc between the GRY-3 wire on the Hot Oil Pakstat terminal #6 and the ground BLK-5 wire on the Hot Oil Pakstat terminal #4?	<ul style="list-style-type: none"> • Yes, go to Step 18. • No, check the length of the GRY-3 wire for possible damage.
18	Is there 12Vdc between the GRY-2 wire on the Hot Oil Pakstat terminal #7 and the ground BLK-5 wire on the Hot Oil Pakstat terminal #4?	<ul style="list-style-type: none"> • Yes, go to Step 19. • No, check for loose or broken GRY-2 wire between the terminal block and the Hot Oil Pakstat terminal #7 along with the BLK-5 ground wire. • If still no voltage then replace the Hot Oil Pakstat.
19	Is there 12Vdc between the GRY-2 wire on the terminal block left side third terminal from the bottom inside the control box and a nearby ground?	<ul style="list-style-type: none"> • Yes, go to Step 20. • No, check the length of the GRY-2 wire for possible damage.
20	Is there 12Vdc between the "HARN RED" wire on the terminal block right side third terminal from the bottom inside the control box and a nearby ground?	<ul style="list-style-type: none"> • Yes, go to Step 21. • No, make sure the "HARN RED" wire is completely inserted into the terminal block.
21	Is there 12Vdc between the "HARN BRN" wire on the terminal block left side first terminal from the bottom inside the control box and a nearby ground?	<ul style="list-style-type: none"> • Yes, go to Step 22. • No, make sure the "HARN BRN" wire is completely inserted into the terminal block.
22	Is there 12Vdc between the "DP BRN" wire on the terminal block right side first terminal from the bottom inside the control box and a nearby ground?	<ul style="list-style-type: none"> • Yes, go to Step 23. • No, make sure the "DP BRN" wire is completely inserted into the terminal block.

Chapter 8 Troubleshooting

Table 8-6 Burner Electrical Trouble shooting (continued)

Step	Possible Cause	If . . .
23	Is there 12Vdc between both terminals on the din plug located on the gas valve? See Fig. 8-2 Checking Din Plug Voltage	<ul style="list-style-type: none"> • Yes, replace gas valve. • No, Call Crafc, Inc. and speak to a customer service technician.

Chapter 8 Troubleshooting



SS60 LPG BURNER SCHEMATIC

Fig. 8-1 Propane Burner Schematic

Chapter 8 Troubleshooting

8.0.2. Burner Ignitor Proper Spacing and Function

Table 8-7 Burner Ignitor Proper Spacing and Function

Step	Burner Troubleshooting
1	Turn off the propane gas at the bottle and open the inspection door on the driver's side rear of the tank.
WARNING	
2	Allow some distance at least a foot or two between you and the opening of the inspection door in case any unused propane gas should ignite.
3	Have a second person turn "ON" the main power toggle switch as you watch the spark on the ignitor through the inspection door. This should be repeated several times to insure a consistent spark.
4	The spark should be strong and at the tip of the ignitor between the center post and the post to the left of it. If the ignitor is bent properly the spark will be approximately 1" above the burner opening where the propane exits the burner. Note: Prior to 2018 the ignitors had to be bent in the field.
5	If you see the spark occurring anywhere else, then check the ignitor tip spacing, there should be approximately a 1/8" gap between the center grounding post and both spark post and the sensor post. All three should be slightly bent towards the burner.
6	If the ignitor gap is correct, then unbolt the ignitor and burner assembly and clean all mounting surfaces to ensure a good grounding contact, and then reassemble.
7	Check both electrical connectors for the spark and sensor; these both need to be clean from any corrosion and a tight fit to the ignitor spades.

Chapter 8 Troubleshooting

8.0.3. Checking Spark Control Module

Table 8-8 Checking the Spark Control Module

Step	Spark Control Module
1	Remove the white rectangular plug from the spark control module and inspect the end for any damage to the wires going into the plug or to the pins on the inside of the plug.
2	Replace the wiring harness if damage has occurred.
3	Check the spark control module plug mounting tab for possible damage.
4	Replace the spark control module if damage has occurred. Note: the spark control module is not repairable in the field.
5	Remove the hi-voltage wire and inspect the end of the wire for any damage to the wire or terminal. Replace the wire if damage has occurred.
6	Make sure the connection from the terminal fitting and the spark control module is solid and not loose, tighten if needed.

8.0.4. Burner Flame Adjustment

Table 8-9 Burner Flame Adjustment

Step	Burner Flame Adjustment
1	While the burner is "ON", remove the burner inspection door.
	CAUTION
2	Allow some distance at least a foot or two between you and the opening of the inspection door heat will be coming out this opening.
3	The flame should be approximately four inches in height, mostly orange in color with blue tips. The flame should be completely around the burner ring.
4	If the flame is not completely around the ring, cycle the burner a few times to see if the result is the same. If it is than turn "OFF" the propane source and turn "OFF" the control box toggle switch.
5	Disconnect the propane hose attached to the propane burner, remove the burner door, and disconnect the ignition and sensor wires at the ignitor, then remove the ignitor. Support the burner from underneath the unit and unbolt the four bolts holding the burner in place.

Chapter 8 Troubleshooting

Table 8-10 Burner Flame Adjustment (continue)

Step	Burner Flame Adjustment
6	Lower the burner and slide the burner out of the hole in the deck.
7	Inspect the burner ring along with the twelve small diameter holes in the center section of the burner. You may need to use a small metal pick to unplug these holes.
8	Turn the burner over to dump out any small pieces of debris, after that turn the burn back over. Shop air can be used to blow out any debris inside the burner. If needed you can remove the center section to allow access.
9	Check the air inlet for the proper air setting. Locate the conduit locknut near the area that the propane hoses attach to the burner, loosen this nut and turn the air spacer clockwise until it stops against the burner body. Use a marker to mark a line across the air spacer and burner body. Turn the air spacer four complete turn counterclockwise and secure it in place with the conduit lock nut.

8.1 Sealant is Heating Slowly

Table 8-11 Sealant is Heating Slowly

Step	Sealant is Heating Slowly
1	With the material level half or less, open the loading lid and inspect the inside edge of the material tank. Check if there is a buildup of old, dried out and hardened material along the top half of the material tank.
2	If this is the case you will need to drain out (use up) the rest of the material inside the tank. When the tank is empty, use an air chisel to remove this built up material. Remove as much as possible all around the tank including the roof of the material tank. Remove all the old sealant chunks from the bottom of the material tank. This should be done every year or as conditions require.
3	Check your level of the heat transfer oil, the mark on the dipstick is for 70°F.
4	Check your records of the last service replacement of the heat transfer oil. If it has been longer than 500 hours, or one year, you need to change your oil.
5	Many of Crafco, Inc. service centers can perform these service steps for you if you cannot. Call your local service center to find out if they can.

Chapter 8 Troubleshooting

8.2 Mixer Troubleshooting

8.2.1 Symptom: Mixer Does Not Rotate

Table 8-12 Basic Visual Troubleshooting

Step	Possible Cause	If . . .
1	Is the Material Temperature Display at or above 275°F?	<ul style="list-style-type: none"> • Yes, go to Step 2. • No, continue to allow the machine to heat. (Make sure the Material dial and the Hot Oil dial are set at operating temperatures.)
2	Is the red "Mixer" light "ON"?	<ul style="list-style-type: none"> • Yes, go to Step 3. No, go to Table 8-13 Mixer Electrical Troubleshooting
3	Is the loading door closed?	<ul style="list-style-type: none"> • Yes, go to Step 4. • No, shut the loading door.
4	Is the "Mixer" toggle switch in the "Forward" position?	<ul style="list-style-type: none"> • Yes, go to Step 5. • No, move the toggle switch to the forward position.
5	Move the "Mixer" toggle switch to the "Reverse" position. Is the agitator moving?	<ul style="list-style-type: none"> • Yes, allow mixer to reverse for 15 seconds and then move the "Mixer" toggle switch to the "Forward" position. Go to Step 6. No, go to Table 8-13 Mixer Electrical Troubleshooting
6	Open the Material loading door. Are there several un-melted blocks in the tank?	<ul style="list-style-type: none"> • Yes, this may cause the agitator to jam. Use the mixer toggle switch to move the agitator forward and backward until the material melts enough to allow forward movement without jamming. Crafco, Inc. recommends you add one to two blocks every three to four minutes during dispensing of product. • No, go to Table 8-13 Mixer Electrical Troubleshooting
7	Is the hydraulic fluid level near the center of the sight gauge? Check at ambient temperature. See Fig. 5-1 Hydraulic Fluid Level and Temp. Gauge	<ul style="list-style-type: none"> • Yes, go to Table 8-13 Mixer Electrical Troubleshooting • No, fill oil to the center of the sight gauge.

Chapter 8 Troubleshooting

Note: Use Fig. 8-3 Mixer Schematic while troubleshooting the mixer electrical system.

Table 8-13 Mixer Electrical Troubleshooting

Step	Possible Cause	If ...
1	Is the amber light "ON" on the Din Plug when the "Mixer" toggle switch is in the "Forward" position? (For forward din plug location. Refer to Fig. 8-5 Din Plug Layout).	<ul style="list-style-type: none"> • Yes, then the mixer should be working. If it is not working see Table 8-16 Mixer Hydraulic Troubleshooting • No, go to step 1a.
1a	Unscrew the din plug center screw so you can pull the din plug up about 1/4" in order to check for voltage. Is there 12Vdc from side post to side post?	<ul style="list-style-type: none"> • Yes, the electrical system for the agitator is working properly; go to Table 8-16 Mixer Hydraulic Troubleshooting. Also replace din plug at earliest convenience to retain visual troubleshooting ability. • No, go to step 2.
2	Is there 12Vdc between the "Mixer" toggle switch bottom post brown wire and nearby ground wire (blue wires)? (With the "Mixer" toggle switch in the "Forward" position.) See Fig. 8-3 Mixer Schematic	<ul style="list-style-type: none"> • Yes, replace din plug. • No, go to Step 2a.
2a	Is there 12Vdc between the "Mixer" toggle switch center post red wire and nearby ground source (blue wires)?	<ul style="list-style-type: none"> • Yes, replace mixer toggle switch • No, go to step 3.
3	Is there 12Vdc between the lid switch red wires and a nearby ground source? (Check both red wires on the bottom of the lid switch with the lid closed.)	<ul style="list-style-type: none"> • Yes, on both red wires check for loose connections or broken wires between lid switch and terminal block. • Yes, on only one red wire when the lid is closed. Readjust the lid switch so that the lid completely depresses the switch, and then recheck for 12Vdc. If the same result happens, replace the lid switch. • No, go to step 4.

Chapter 8 Troubleshooting

Table 8-14 Mixer Electrical Troubleshooting (continued)

Step	Possible Cause	If . . .
4	Check for 12Vdc at red wire labeled Red Lid and pink wire labeled Pink-3 on terminal block right side upper corner and a nearby ground source (black wire).	<ul style="list-style-type: none"> • Yes, on both, check for loose connections or broken wires between lid switch and terminal block. • No on Red Lid and Yes on Pink-3, ensure both wires are securely installed in the terminal block. • No, go to step 4a.
4a	Is there 12Vdc between the Material PAKSTAT terminal #2 pink wire and terminal #8 black ground wire? (Refer to Fig. 8-3 Mixer Schematic.)	<ul style="list-style-type: none"> • Yes, check for loose connections or broken wires between PAKSTAT terminal #2 and terminal block. • No, go to Step 4b
4b	Is there 12Vdc between the Material PAKSTAT terminal #1 orange wire and terminal #8 black ground wire?	<ul style="list-style-type: none"> • Yes, replace the Material PAKSTAT. • No, go to Step 4c.
4c	Is there 12Vdc between orange wire labeled ORN-1, terminal #9 and terminal #8 ground source (black wire)?	<ul style="list-style-type: none"> • Yes, check for loose connections or broken wires between terminals #8 and #1. • No, go to step 5.
5	Is there 12Vdc at orange wire labeled ORN-1 and ORN-2 on the upper terminal block?	<ul style="list-style-type: none"> • Yes, on both, check for loose connections or broken wires between terminal block and material PAKSTAT. • Yes, on ORN-2 and No on ORN-1 replace terminal block. • No on both, go to step 6.
6	Is there 12Vdc between orange wire labeled ORN-2 terminal #3 and terminal #5 black ground of hot oil PAKSTAT?	<ul style="list-style-type: none"> • Yes, check for loose connections or broken wires between terminal #3 and terminal block. • No, go to step 7.

Chapter 8 Troubleshooting

Table 8-15 Mixer Electrical Troubleshooting (continued)

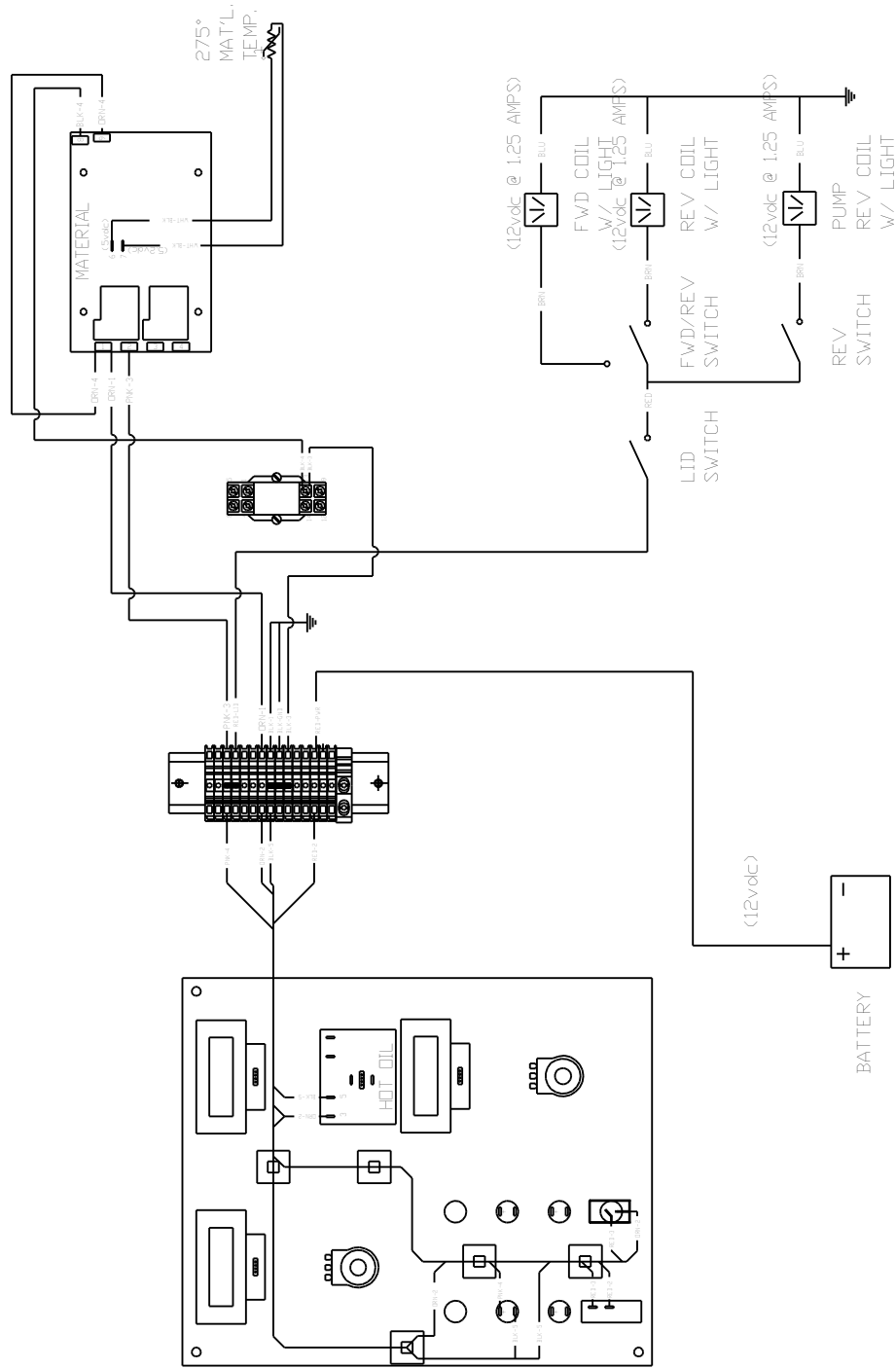
Step	Possible Cause	If . . .
7	Is there 12Vdc between top terminal of the power switch orange wire and a nearby ground (black wire)?	<ul style="list-style-type: none"> • Yes, check for loose connections or broken wires between toggle switch and hot oil PAKSTAT terminal #3. • No, go to step 7a.
7a	Is there 12Vdc between bottom terminal wire labeled RED-3 and a nearby ground source (black wire)?	<ul style="list-style-type: none"> • Yes, replace toggle switch. • No, go to step 8.
8	Is there 12Vdc between the top terminal of circuit breaker red wire labeled RED-3 and nearby ground source (black wire)?	<ul style="list-style-type: none"> • Yes, check for loose connections or broken wires between circuit breaker and toggle switch. • No, go to step 8a.
8a	Is there 12Vdc between the bottom terminal of circuit breaker red wire labeled RED-2 and nearby ground source (black wire)?	<ul style="list-style-type: none"> • Yes, replace circuit breaker • No, go to step 9.
9	Is there 12Vdc between the red wire labeled RED-2 lower left terminal block and nearby ground source (black wire)?	<ul style="list-style-type: none"> • Yes, check for loose connection with the RED-2 on the terminal block. • No, go to Step 9a.
9a	Is there 12Vdc between the red wire labeled RED-PWR lower right terminal block and nearby ground source (black wire)?	<ul style="list-style-type: none"> • Yes, Check for loose connections or broken wires • No, go to Step 10.
10	Check connections and condition of red battery cable and RED-PWR on the positive post on the battery?	<ul style="list-style-type: none"> • Yes, there should be 12Vdc at all previous steps. • No, replace battery cable.

Chapter 8 Troubleshooting



Fig. 8-2 Checking Din Plug Voltage

Chapter 8 Troubleshooting



SS60 AGITATOR CIRCUIT

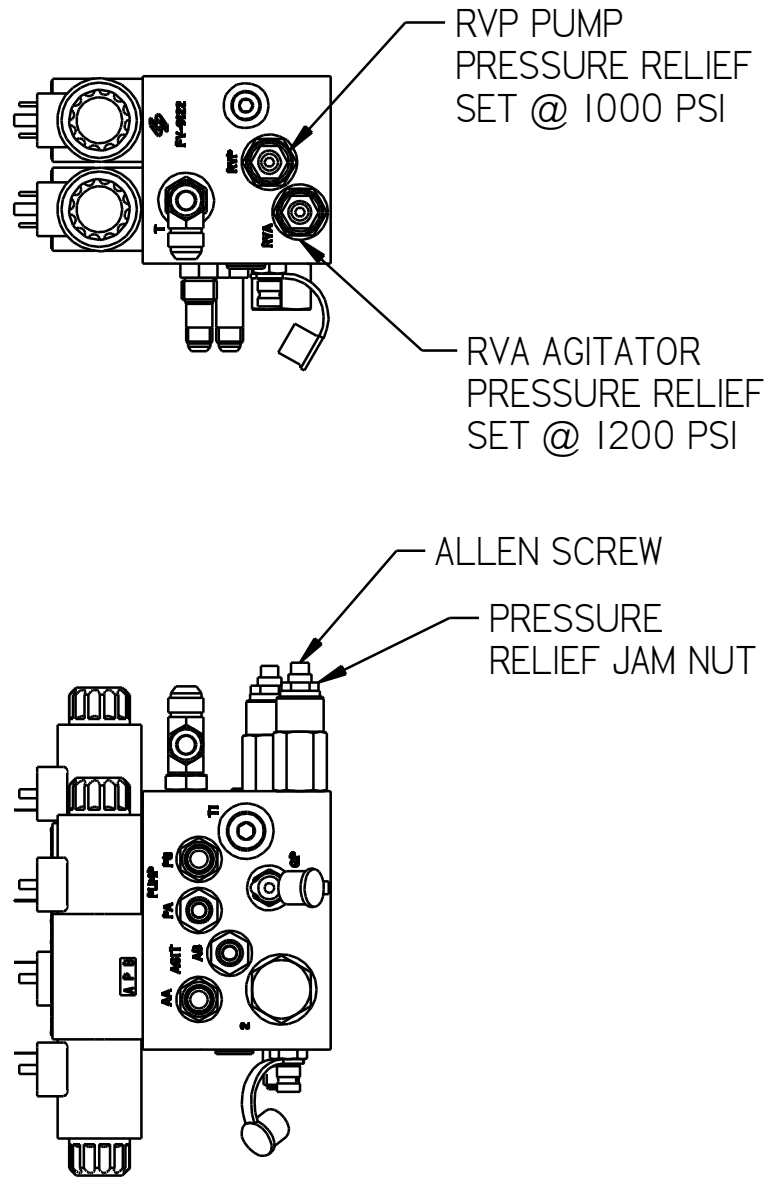
Fig. 8-3 Mixer Schematic

Chapter 8 Troubleshooting

Table 8-16 Mixer Hydraulic Troubleshooting

Step	Possible Cause	If . . .
1	Remove the din plug, then remove the coil by unscrewing the nut on top of the coil. With the coil removed, re-attach the din plug and energize the coil by moving the mixer switch to Forward or Reverse, then insert a screwdriver into the center of the coil. Does the coil magnetize when the din plug amber light is "ON"?	<ul style="list-style-type: none"> • Yes, go to Step 2. • No, replace the coil.
2	Is the relief pressure set correctly? (Refer to Fig. 8-4 Hydraulic Valve Pressure Setting , for pressure settings.)	<ul style="list-style-type: none"> • Yes, go to Step 3. • No, first turn "OFF" the Isuzu engine, then remove one of the two hydraulic hoses going to the agitator hydraulic motor, cap off the fitting on the motor and use a 3,000 PSI gauge with the proper JIC fitting, attach it to the hose. Start the Isuzu engine, turn "ON" the main power in the control box, move the "Mixer" toggle switch to the "Forward" position and read the pressure gauge. If the pressure needs to be adjusted use the pressure relief valve labeled "RVA", loosen the jam nut and adjust the pressure with the allen screw at the end of the relief. Turn clockwise to increase pressure and counterclockwise to decrease pressure, then tighten the jam nut to lock the pressure. Next turn "OFF" the Isuzu engine, remove the cap and pressure gauge, then re-attach the hose.
3	Is the hydraulic flow 1.5 GPM from the hydraulic valve? If you do not have a flow meter, call a local hydraulic shop to run the test for you.	<ul style="list-style-type: none"> • Yes, call Crafco, Inc. and speak to a customer service technician you should have been able to find the problem. • No, replace the flow divider in the hydraulic valve.
4	Is the hydraulic flow correct from the hydraulic pump? If you do not have a flow meter, call a local hydraulic shop to run the test for you. (Refer to Fig. 8-4 Hydraulic Valve Pressure Setting for flow rate).	<ul style="list-style-type: none"> • Yes, call Crafco, Inc. and speak to a customer service technician you should have been able to find the problem. • No, replace the hydraulic pump.

Chapter 8 Troubleshooting



Agitation Direction = Counterclockwise
Hydraulic Flow Standard = 9.04 GPM @ 2400 RPM
Hydraulic Flow Compressor = Front section 16.61 GPM @ 2800 RPM
Hydraulic Flow Compressor = Rear section 7.03 GPM @ 2800 RPM
Compressor Relief = 2500 PSI

Fig. 8-4 Hydraulic Valve Pressure Setting

Chapter 8 Troubleshooting

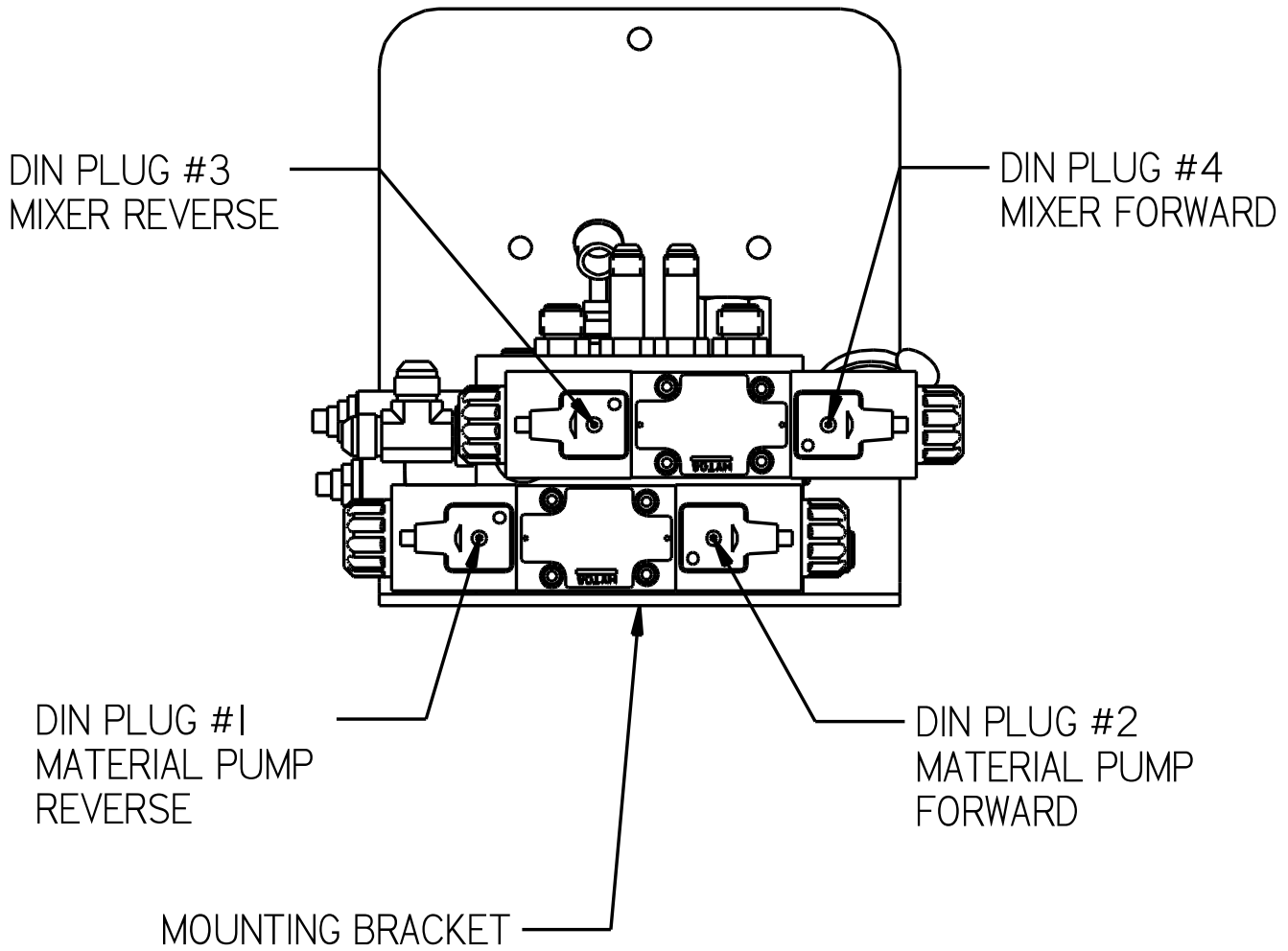


Fig. 8-5 Din Plug Layout

Chapter 8 Troubleshooting

8.3 Hose Troubleshooting

8.3.1 Symptom: Hose Does Not Heat

Table 8-17 Basic Visual Hose Troubleshooting

Step	Possible Cause	If . . .
1	Is the Material Temperature Display at or above 275°F?	<ul style="list-style-type: none"> • Yes, go to Step 2. • No, continue to allow the machine to heat. (Make sure the Material dial and the Hot Oil dial are set at operating temperatures.)
2	Is the red "HEATED HOSE" light "ON"?	<ul style="list-style-type: none"> • Yes, go to Table 8-18 Hose Electrical Troubleshooting • No, allow the machine to heat material to 275°F.
2a	Is the circuit breaker tripped?	<ul style="list-style-type: none"> • Yes, reset the circuit breaker by pushing in the button which has popped out. • No, go to Table 8-18 Hose Electrical Troubleshooting

NOTE: Use Fig. 8-7 Hose Circuit Schematic while troubleshooting the hose electrical system.

Table 8-18 Hose Electrical Troubleshooting

Step	Possible Cause	If . . .
1	Is there 12Vdc between "BATT" terminal of the generator and a nearby ground source (lug on battery tray)?	<ul style="list-style-type: none"> • Yes, go to Step 2. • No, go to Step 6.
2	Is there 24Vac between the white, green, and black wires? NOTE: Do this test inside the junction box. Check between black and white, black and green, and green and white. See Fig. 8-6 Junction Box Voltage Testing	<ul style="list-style-type: none"> • Yes, go to Step 3 • No, stop the engine, tighten the belt, restart engine and recheck output voltage. • Still no, replace the generator.
2a	Check the three heating element wires (blue) in the junction box for 30-35 Amps cold or 20-22 Amps hot. NOTE: Always use a clamp-on amp meter to perform this test. Each wire should have the same amp reading (+/- 1 amp).	<ul style="list-style-type: none"> • Yes, the hose should be working properly. • No, go to Step 3.

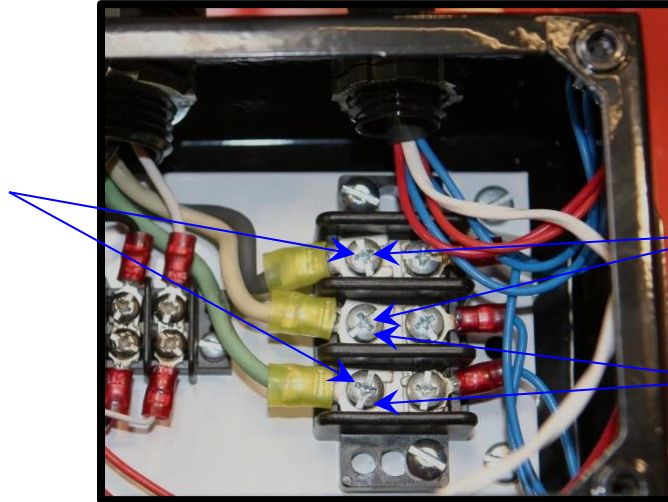
Chapter 8 Troubleshooting

Table 8-19 Hose Electrical Troubleshooting (continued)

Step	Possible Cause	If . . .
3	<p>Check for continuity in the hose from end to end. Disconnect the three blue heating element wires (blue) from the terminal block inside the junction box and disconnect the five pin plug between the hose and wand. Refer to Fig. 8-8 Junction Box Wiring.</p> <p>NOTE: Check each letter “D”, “E”, and “A” with the three blue wires on the other end of the hose. There should only be continuity on one wire to each letter.</p>	<ul style="list-style-type: none"> • Yes, go to Step 3a. • No, either there was no continuity from one letter to the other end of the hose or there was more than one wire with continuity to a letter. This hose needs to be repaired or replaced. Contact CrafcO, Inc. to send back the hose for repair.
3a	<p>Check the RTD sensor in the hose against the readout in the control box. Disconnect the black and white wires from the terminal block in the junction box and test for ohms.</p> <p>Refer to Table 8-21 RTD Sensor Ohms vs. Temperature</p>	<ul style="list-style-type: none"> • Yes, the readout matches the table, go to Step 4. • No, this hose needs to be repaired or replaced. Contact CrafcO, Inc. to send back the hose for repair.
4	<p>Check for continuity in the wand between “D”, “E”, and “A”.</p> <p>NOTE: Check between “D” and “E”, “D” and “A”, and “A” and “E”.</p>	<ul style="list-style-type: none"> • Yes, go to Step 5. • No, this wand needs to be repaired or replaced. Contact CrafcO, Inc. to send back the wand for repair.
5	<p>Is there 12Vdc between wire labeled “BLU-GEN” on the upper terminal block and nearby ground source (black wire)?</p>	<ul style="list-style-type: none"> • Yes, check for loose or broken connections between terminal block and the “BATT” terminal of generator. • No, go to Step 6.
6	<p>Is there 12Vdc between Hose PAKSTAT blue wire terminal #4 and black wire terminal #8?</p>	<ul style="list-style-type: none"> • Yes, check for loose or broken wire between terminal #4 and the terminal block. • No, go to Step 6a.
6a	<p>Is there 12Vdc between Hose PAKSTAT terminal #3 Pink wire and terminal #8 black wire?</p>	<ul style="list-style-type: none"> • Yes, replace hose PAKSTAT. • No, go to Step 6b.
6b	<p>Is there 12Vdc between Hose PAKSTAT pink wire terminal #1 and black wire terminal #8?</p>	<ul style="list-style-type: none"> • Yes, check for loose or broken wires between terminal #1 and terminal #3. • No, go to Step 7.
7	<p>Is there 12Vdc between pink wire labeled “PNK-1 on the upper terminal block and a nearby ground source (black wire)?</p>	<ul style="list-style-type: none"> • Yes, check for loose or broken wire between terminal block and terminal #1. • No go to Step 7.
7a	<p>Is there 12Vdc between pink wire labeled “PNK-3 and nearby ground source (black wire)?</p>	<ul style="list-style-type: none"> • Yes, call CrafcO, Inc. and speak to a customer service technician you should have been able to find the problem. • No, replace terminal block.

Chapter 8 Troubleshooting

Test #2 between black and green wires

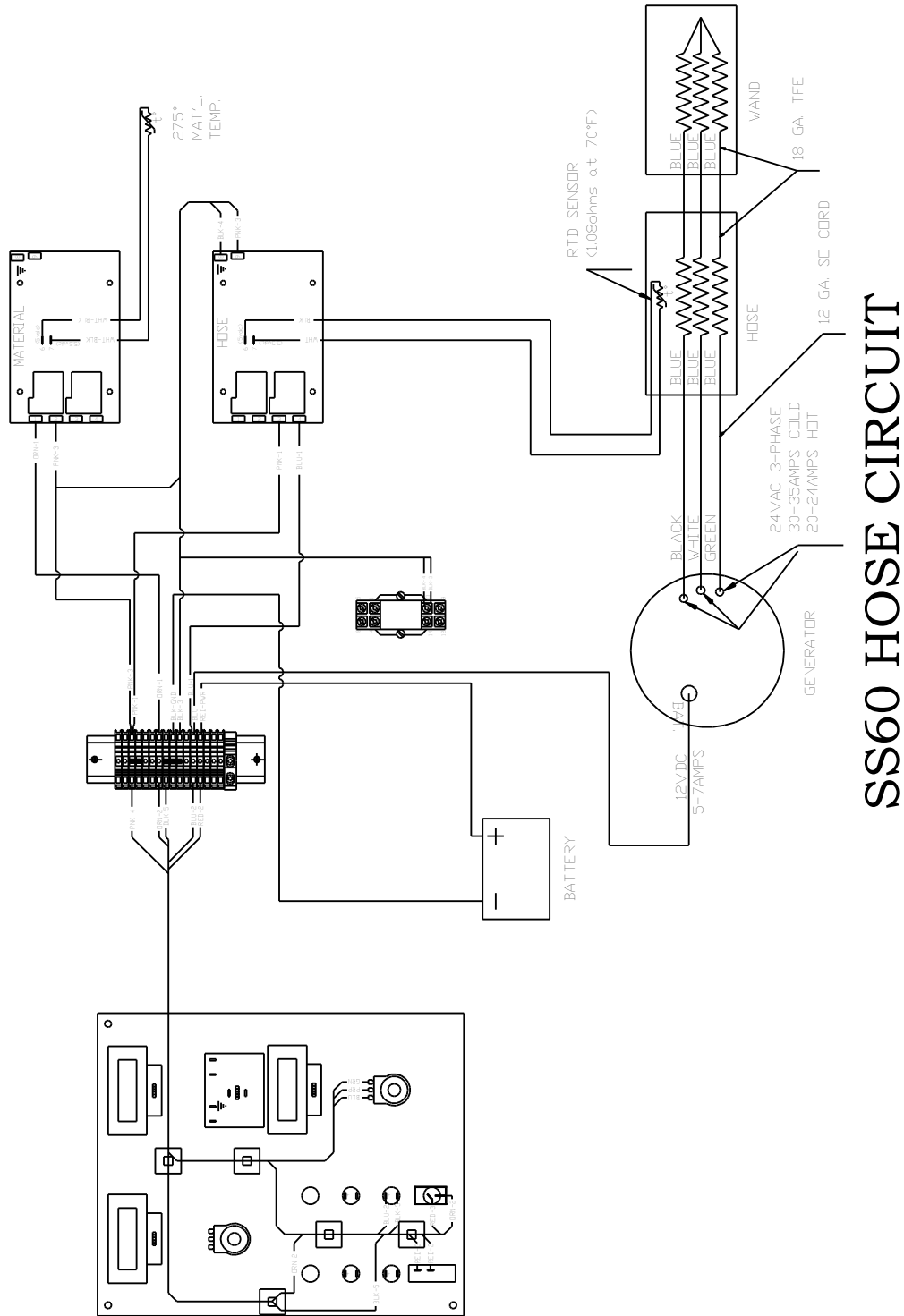


Test #1 between black and white wires

Test #3 between white and green wires

Fig. 8-6 Junction Box Voltage Testing

Chapter 8 Troubleshooting



SS60 HOSE CIRCUIT

Fig. 8-7 Hose Circuit Schematic

Chapter 8 Troubleshooting

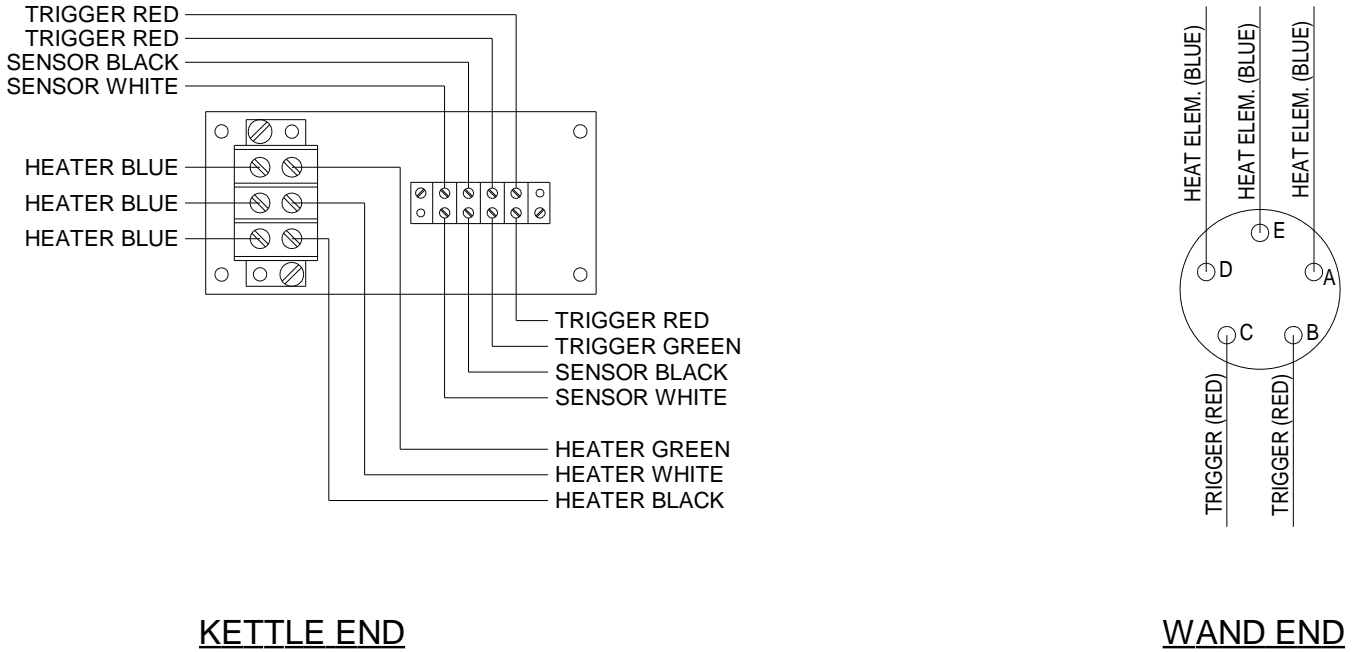


Fig. 8-8 Junction Box Wiring

Chapter 8 Troubleshooting

8.3.2 Symptom: Trigger is not Working

Table 8-20 Trigger is Not Working

Step	Possible Cause	If . . .
1	Check continuity between two red wires coming from the hose in junction box. NOTE: These wires must be disconnected from the terminal block and the trigger depressed to perform this test.	<ul style="list-style-type: none"> • Yes, go to Table 8-23 Basic Visual Pump Troubleshooting. • No, go to Step 2.
2	Disconnect the electrical connector between the hose and wand, check for continuity between C and B wand side.	<ul style="list-style-type: none"> • Yes, this hose needs to be repaired or replaced. Contact CrafcO, Inc. to send back the hose for repair. • No, this wand needs to be repaired or replaced. Contact CrafcO, Inc. to send back the hose for repair.

Chapter 8 Troubleshooting

8.3.3 RTD Sensor Ohms vs. Temperature

Table 8-23 and Table 8-24 below shows what the ohm reading would be for a given temperature. The following are the instructions for using the table.

Measure the resistance (ohms) of the sensor in question with an ohm meter (See [7.3 Checking Resistance \(Ohms\)](#)) in Section 7 How to Use a Multimeter.

Find the reading in the chart (columns 0 through 9).

Follow the row to the left and get the temperature in 10°F increments, then follow the column up to get the 1°F increment. (For example, 1391 Ohms = 215°F)

Table 8-21 RTD Sensor Ohms vs. Temperature

°F	0	1	2	3	4	5	6	7	8	9
0	930.3	932.5	934.7	936.9	939.1	941.3	943.4	945.6	947.8	950.0
10	952.2	954.3	956.5	958.7	960.9	963.0	965.2	967.4	969.6	971.8
20	973.9	976.1	978.3	980.5	982.6	984.8	987.0	989.1	991.3	993.5
30	995.7	997.8	1000.0	1002.2	1004.3	1006.5	1008.7	1010.9	1013.0	1015.2
40	1017.4	1019.5	1021.7	1023.9	1026.0	1028.2	1030.4	1032.5	1034.7	1036.9
50	1039.0	1041.2	1043.4	1045.5	1047.7	1049.8	1052.0	1054.2	1056.3	1058.5
60	1060.7	1062.8	1065.0	1067.1	1069.3	1071.5	1073.6	1075.8	1077.9	1080.1
70	1082.2	1084.4	1086.6	1088.7	1090.9	1093.0	1095.2	1097.3	1099.5	1101.6
80	1103.8	1106.0	1108.1	1110.3	1112.4	1114.6	1116.7	1118.9	1121.0	1123.2
90	1125.3	1127.5	1129.6	1131.8	1133.9	1136.1	1138.2	1140.4	1142.5	1144.7
100	1146.8	1149.0	1151.1	1153.2	1155.4	1157.5	1159.7	1161.8	1164.0	1166.1
110	1168.3	1170.4	1172.5	1174.7	1176.9	1179.0	1181.1	1183.3	1185.4	1187.5
120	1189.7	1191.8	1194.0	1196.1	1198.2	1200.4	1202.5	1204.6	1206.8	1208.9
130	1211.0	1213.2	1215.3	1217.5	1219.6	1221.7	1223.9	1226.0	1228.1	1230.3
140	1232.4	1234.5	1236.7	1238.9	1240.9	1243.0	1245.2	1247.3	1249.4	1251.6
150	1253.7	1255.8	1258.0	1260.1	1262.2	1264.3	1266.5	1268.6	1270.7	1272.8
160	1275.0	1277.1	1279.2	1281.3	1283.5	1285.6	1287.7	1289.8	1292.0	1294.1
170	1296.2	1298.3	1300.4	1302.6	1304.7	1306.8	1308.9	1311.0	1313.2	1315.3
180	1317.4	1319.5	1321.6	1323.8	1325.9	1328.0	1330.1	1332.2	1334.3	1336.5
190	1338.6	1340.7	1342.8	1344.9	1347.0	1349.1	1351.2	1353.4	1355.5	1357.6
200	1359.7	1361.8	1363.9	1366.0	1368.1	1370.2	1372.4	1374.5	1376.6	1378.7
210	1380.8	1382.9	1385.0	1387.1	1389.2	1391.3	1393.4	1395.5	1397.6	1399.7
220	1401.8	1403.9	1406.0	1408.1	1410.3	1412.4	1414.5	1416.6	1418.7	1420.8
230	1422.9	1425.0	1427.1	1429.2	1431.3	1433.4	1435.5	1437.6	1439.6	1441.7
240	1443.8	1445.9	1448.0	1450.1	1452.2	1454.3	1456.4	1458.5	1460.6	1462.7
250	1464.8	1466.9	1469.0	1471.1	1473.2	1475.3	1477.3	1479.4	1481.5	1483.6
260	1485.7	1487.8	1489.9	1492.0	1494.1	1496.1	1498.2	1500.3	1502.4	1504.5

Chapter 8 Troubleshooting

Table 8-22 RTD Sensor Ohms vs. Temperature (continued)

°F	0	1	2	3	4	5	6	7	8	9
270	1506.6	1508.7	1510.8	1512.8	1514.9	1517.0	1519.1	1521.2	1523.3	1525.3
280	1527.4	1529.5	1531.6	1533.7	1535.7	1537.8	1539.9	1542.0	1544.1	1546.1
290	1548.2	1550.3	1552.4	1554.5	1556.5	1558.6	1560.7	1562.8	1564.8	1566.9
300	1569.0	1571.1	1573.1	1575.2	1577.3	1579.4	1581.4	1583.5	1585.6	1587.7
310	1589.7	1591.8	1593.9	1595.9	1598.0	1600.1	1602.2	1604.2	1606.3	1608.4
320	1610.4	1612.5	1614.6	1616.6	1618.7	1620.8	1622.8	1624.9	1627.0	1629.0
330	1631.1	1633.2	1635.2	1637.3	1639.3	1641.4	1643.5	1645.5	1647.6	1649.7
340	1651.7	1653.8	1655.8	1657.9	1660.0	1662.0	1664.1	1666.1	1668.2	1670.2
350	1672.3	1674.4	1676.4	1678.5	1680.5	1682.6	1684.6	1686.7	1688.7	1690.8
360	1692.9	1694.9	1697.0	1699.0	1701.1	1703.1	1705.2	1707.2	1709.3	1711.3
370	1713.4	1715.4	1717.5	1719.5	1721.6	1723.6	1725.7	1727.7	1729.8	1731.8
380	1733.9	1735.9	1737.9	1740.0	1742.0	1744.1	1746.1	1748.2	1750.2	1752.3
390	1754.3	1756.3	1758.4	1760.4	1762.5	1764.5	1766.6	1768.6	1770.6	1772.7
400	1774.7	1776.8	1778.8	1780.8	1782.9	1784.9	1786.9	1789.0	1791.0	1793.1
410	1795.1	1797.1	1799.2	1801.2	1803.2	1805.3	1807.3	1809.3	1811.4	1813.4
420	1815.4	1817.5	1819.5	1821.5	1823.6	1825.6	1827.6	1829.6	1831.7	1833.7
430	1835.7	1837.8	1839.8	1841.8	1843.8	1845.9	1847.9	1849.9	1851.9	1854.0
440	1856.0	1858.0	1860.0	1862.1	1864.1	1866.1	1868.1	1870.2	1872.2	1874.2
450	1876.2	1878.2	1880.3	1882.3	1884.3	1886.3	1888.3	1890.4	1892.4	1894.4
460	1896.4	1898.4	1900.5	1902.5	1904.5	1906.5	1908.5	1910.5	1912.6	1914.6
470	1916.6	1918.6	1920.6	1922.6	1924.6	1926.6	1928.7	1930.7	1932.7	1934.7
480	1936.7	1938.7	1940.7	1942.7	1944.7	1946.8	1948.8	1950.8	1952.8	1954.8
490	1956.8	1958.8	1960.8	1962.8	1964.8	1966.8	1968.8	1970.8	1972.8	1974.8
500	1976.8	1978.8	1980.8	1982.9	1984.9	1986.9	1988.9	1990.9	1992.9	1994.9
510	1996.9	1998.9	2000.9	2002.9	2004.9	2006.9	2008.8	2010.8	2012.8	2014.8
520	2016.8	2018.8	2020.8	2022.8	2024.8	2026.8	2028.8	2030.8	2032.8	2034.8
530	2036.8	2038.8	2040.8	2042.8	2044.7	2046.7	2048.7	2050.7	2052.7	2054.7
540	2056.7	2058.7	2060.7	2062.7	2064.6	2066.6	2068.6	2070.6	2072.6	2074.6
550	2076.6	2078.5	2080.5	2082.5	2084.5	2086.5	2088.5	2090.4	2092.4	2094.4

Chapter 8 Troubleshooting

8.4 Pump Troubleshooting

8.4.1 Symptom: Material Does Not Dispense When the Pump is Activated

Table 8-23 Basic Visual Pump Troubleshooting

Step	Possible Cause	If . . .
1	Start Troubleshooting at the control box. Is the Hose Temperature Display at or above 325°F?	<ul style="list-style-type: none"> • Yes, go to Step 2. • No, continue to allow the machine to heat. (Make sure the Hose dial is set at the operating temperature.)
2	Is the red "Pump" light "ON"?	<ul style="list-style-type: none"> • Yes, go to Step 3. • No, allow the hose to continue to heat.
3	With the wand in the shoebox, pull the wand trigger and look at the material pump shaft chain coupler. Is it spinning clockwise? (Remove the chain guard if necessary.)	<ul style="list-style-type: none"> • Yes, go to Step 5. • No, adjust the material flow control to increase the flow. • No, go to Step 4.
4	Inside the control box and under the front panel, find the relay cube for the pump. It is found near the middle, left-hand side of the box. It is a clear yellow cube with a green button facing the top of the control box. When you press this button, material should dispense from the wand, so be careful. Does the material pump shaft coupler turn when you press the green button?	<ul style="list-style-type: none"> • Yes, this tells you that everything from the cube relay to the hydraulic manifold is working properly, your issue is inside the hose and wand. Go to Table 8-18 Hose Electrical Troubleshooting, Steps 1 through 5 to find the problem. • No, go to Step 5.
5	Is the hydraulic fluid level near the center of the sight gauge?	<ul style="list-style-type: none"> • Yes, go to Table 8-24 Pump Electrical Troubleshooting • No, fill oil to the center of the sight gauge.

Chapter 8 Troubleshooting

NOTE: Use Fig. 8-9 Pump Circuit Schematic while troubleshooting the pump electrical system.

Table 8-24 Pump Electrical Troubleshooting

Step	Possible Cause	If . . .
1	Is the Material Temperature at or above 275°F?	<ul style="list-style-type: none"> • Yes, go to Step 2. • No, continue to allow the machine to heat.
2	Is there 12 Vdc between the Hose PAKSTAT terminal #2 purple wire and terminal #8 black ground wire? (Refer to the pump circuit schematic Fig. 8-9 Pump Circuit Schematic)	<ul style="list-style-type: none"> • Yes, go to Step 3. • No, go to Step 2a.
2a	Is there 12 Vdc between the Hose PAKSTAT terminal #1 pink wire and terminal #8 black ground wire?	<ul style="list-style-type: none"> • Yes, check for a broken wire or poor wire crimp on the terminal #2 purple wire and recheck for 12 Vdc. (If still no voltage replace the Material PAKSTAT.) • No, go to Step 2b.
2b	Is there 12 Vdc between the Hose PAKSTAT terminal #9 pink wire and terminal #8 black ground wire?	<ul style="list-style-type: none"> • Yes, check for a broken wire or poor wire crimp on terminal #1 pink wire. (If you have 12 Vdc on terminal #9 pink then you must have 12 Vdc on terminal #1 pink wire; they are the same wire.) • No, If this is the case you would have had a hose heating issue.
3	Is there 12 Vdc between the terminal block purple wire and the terminal black ground wire.	<ul style="list-style-type: none"> • Yes, go to Step 4. • No, check for a broken wire or poor wire crimp between the Hose PAKSTAT terminal #2 purple wire and the terminal block purple wire.
4	Move to the junction box at the rear of the machine and open the cover. Is there 12 Vdc between the trigger red wire coming from the control box and a nearby ground source?	<ul style="list-style-type: none"> • Yes, go to Step 4a. • No, check for a broken wire or poor wire crimp between the junction box and the control box red wire labeled red-trig.
4a	Is there 12 Vdc between the trigger red wire going toward the hose (just above where you checked in Step 4) and a nearby ground source?	<ul style="list-style-type: none"> • Yes, go to Step 4b. • No, check for a broken wire or poor wire crimp on the red trigger going toward the hose.

Chapter 8 Troubleshooting

Table 8-25 Pump Electrical Troubleshooting (continued)

Step	Possible Cause	If . . .
4b	<p>Is there 12 Vdc between the trigger red wire going toward the hose and a nearby ground source?</p> <p>(Make sure the wand trigger is pulled during this Step.)</p>	<ul style="list-style-type: none"> • Yes, go to Step 4c. • No, go to Step 5.
4c	<p>Is there 12 Vdc between the trigger green wire coming from the control box and a nearby ground source?</p> <p>(Make sure the wand trigger is pulled during this Step.)</p>	<ul style="list-style-type: none"> • Yes, go to Step 6. • No, check for a broken wire or poor wire crimp on the green trigger wire going to the control box.
5	<p>Disconnected the five pin connector between the hose and wand. Refer to Fig. 8-8 Junction Box Wiring</p> <p>Is there continuity on the wand connector between red trigger "C" post and red trigger "B" post while the wand trigger is pulled?</p>	<ul style="list-style-type: none"> • Yes, go to Step 5a. • No, call Crafc, Inc. and request an RA # so you can send your wand back for repair.
5a	<p>Disconnect the two red trigger wires in the junction box going toward the hose. Move the wand end of the hose next to the junction box.</p> <p>Is there continuity on the hose connector "C" socket and only one red trigger in the junction box?</p> <p>(Check both red trigger wires in the junction box one at a time.)</p>	<ul style="list-style-type: none"> • Yes, go to Step 5b. • No, recheck the hose connector "C" socket to the other red trigger wire in the junction box. (You want to see continuity between only one red trigger wire and the "C" socket.) • Still no or continuity to both red trigger wire, then call Crafc, Inc. and request an RA# so you can send your hose back for repair.
5b	<p>Is there continuity on the hose connector "B" socket and red trigger in the junction box?</p>	<ul style="list-style-type: none"> • Yes, call Crafc, Inc. and speak to a service technician, you should have found the problem. • No, recheck the hose connector "B" socket to the other red trigger wire in the junction box. (You want to see continuity between only one red trigger wire and the "B" socket.) • Still no or continuity to both red trigger wire, then call Crafc, Inc. and request an RA# so you can send your hose back for repair.

Chapter 8 Troubleshooting

Table 8-26 Pump Electrical Troubleshooting (continued)

Step	Possible Cause	If . . .
6	<p>Move back to the control box.</p> <p>Is there 12 Vdc between the pump relay base #14 terminal green trigger wire and the #13 terminal black ground wire, when the trigger is pulled?</p>	<ul style="list-style-type: none"> • Yes, go to Step 7. • No, check for a broken wire or loose wire at the relay base on both the green trigger wire and the two black ground wires. Also check for any damage to the green trigger wire from the junction box to the control box.
7	<p>Is there 12 Vdc between the pump relay base #12 terminal red blk wire and the #13 terminal black ground wire?</p>	<ul style="list-style-type: none"> • Yes, go to Step 8. • No, go to Step 7a.
7a	<p>Is there 12 Vdc between the terminal block red black wire and the pump relay base #13 terminal black ground wire?</p>	<ul style="list-style-type: none"> • Yes, check a broken wire or loose wire at the pump relay base #12 terminal. • No, Crafcoc, Inc. and speak to a service technician.
8	<p>Is there 12 Vdc between the pump relay base #8 terminal blue pump wire and the #13 terminal black ground wire, when the trigger is pulled?</p>	<ul style="list-style-type: none"> • Yes, go to Step 9. • No, replace the pump relay cube.
9	<p>Move to the rear of the machine. Remove the cover over the hydraulic manifold.</p> <p>Is the amber light "ON" when the wand trigger is pulled?</p> <p>(Looking down at the top of the hydraulic valve, Pump forward is the din plug lower right-hand corner, Refer to Fig. 8-5 Din Plug Layout.)</p>	<ul style="list-style-type: none"> • Yes, go to Step 9c. • No, go to Step 9a.

Chapter 8 Troubleshooting

Table 8-27 Pump Electrical Troubleshooting (continued)

Step	Possible Cause	If . . .
9a	Follow the brown wire "Forward Pump" din plug to where the insulated spade connection is to the blue pump wire coming from the control box. Are these two wires still connected?	<ul style="list-style-type: none"> • Yes, go to Step 9b. • No, connect these two wires.
9b	Disconnect these two wires. Is there 12 Vdc between the blue pump wire and the blue (4) wire ground connection for the din plugs?	<ul style="list-style-type: none"> • Yes, check for a broken wire or poor wire crimp along the brown "Forward Pump" din plug. • No, check for a broken wire or poor wire crimp along the blue pump wire.
9c	Unscrew the din plug center screw so you can pull the din plug up about 1/4", so you can check for voltage. Is there 12 Vdc from side post to side post, when the wand trigger is pulled?	<ul style="list-style-type: none"> • Yes, the electrical system for the agitator is working properly, go to Table 8-29 Pump Hydraulic Troubleshooting. • No, recheck the amber light, if the light comes "ON" and you do not have 12 Vdc then replace the din plug.
10	Does the hydraulic pump shaft coupler turn counterclockwise, when you hold the "Pump" toggle switch in the "Reverse" position?	<ul style="list-style-type: none"> • Yes, this feature is working properly. • No, go to Step 10a.
10a	Is the amber light "ON" when you hold the "Pump" toggle switch in the "Reverse" position? (Looking down at the top of the hydraulic valve, Pump reverse is the din plug lower left-hand corner, Refer to Fig. 8-5 Din Plug Layout .)	<ul style="list-style-type: none"> • Yes, go to Step 10e. • No, go to Step 10b.
10b	Is there 12 Vdc between the "Pump" toggle switch bottom post brown wire and the blue (4) wires ground din plug, when the toggle switch is in the "Reverse" position? (Refer to Fig. 8-3 Mixer Schematic .)	<ul style="list-style-type: none"> • Yes, go to Step 10e. • No, go to Step 10c.
10c	Is there 12 Vdc between the "Pump" toggle switch center post red wire and the blue (4) wires ground din plug?	<ul style="list-style-type: none"> • Yes, replace the toggle switch. • No, go to Step 10d.

Chapter 8 Troubleshooting

Table 8-28 Pump Electrical Troubleshooting (continued)

Step	Possible Cause	If . . .
10d	Is there 12 Vdc between the "Mixer" toggle switch center post red wire and the blue (4) wires ground din plug?	<ul style="list-style-type: none"> • Yes, check for a broken wire or poor wire crimp on the red wire between the "Mixer" toggle switch and the "Pump" toggle switch. • No, if this is the case you would have had an agitator problem. Call Crafcoc, Inc. and speak to a service technician.
10e	Unscrew the din plug center screw so you can pull the din plug up about 1/4", so you can check for voltage. Is there 12 Vdc from side post to side post, when the wand trigger is pulled?	<ul style="list-style-type: none"> • Yes, the electrical system for the agitator is working properly, go to Table 8-29 Pump Hydraulic Troubleshooting. • No, recheck the amber light, if the light comes "ON" and you do not have 12 Vdc then replace the din plug.

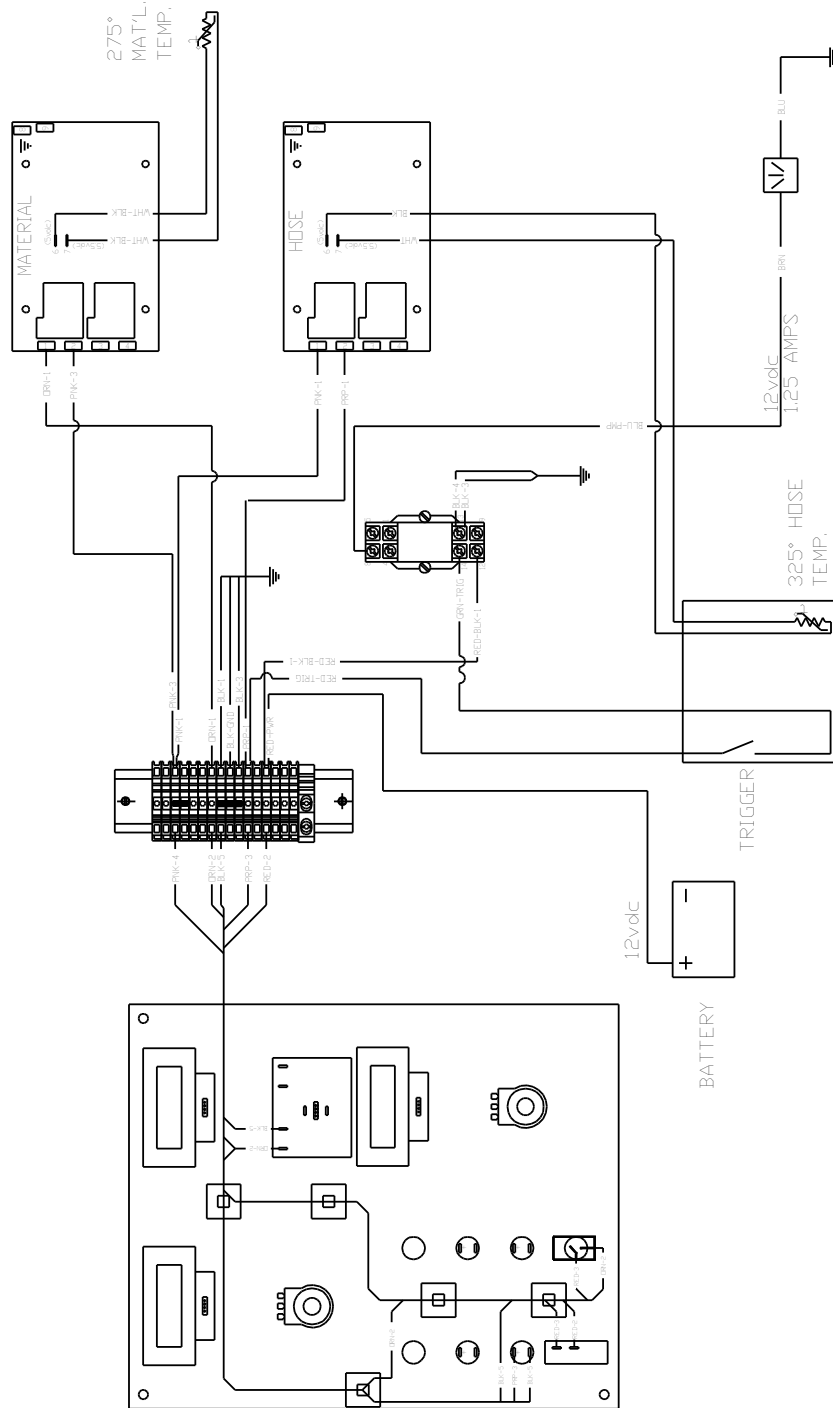
Chapter 8 Troubleshooting

8.4.2 Pump Hydraulic Troubleshooting

Table 8-29 Pump Hydraulic Troubleshooting

Step	Possible Cause	If...
1	Does the coil magnetize when the din plug amber light is "ON"?	<ul style="list-style-type: none"> • Yes, go to Step 2. • No, remove the din plug, then remove the coil by unscrewing the nut on the end of the coil. With the coil removed reattach the din plug and place a metal screwdriver in the center of the coil to see if the coil is magnetic. If it is not, recheck the din plug is plugged into the coil and the amber light is "ON". If still not magnetic replace the coil.
2	Is the relief pressure set correctly? (Refer to Fig. 8-4 Hydraulic Valve Pressure Setting).	<ul style="list-style-type: none"> • Yes, go to Step 3. • No, first turn "OFF" the Isuzu engine, then remove one of the two hydraulic hoses going to the pump hydraulic motor, cap off the fitting on the motor and use a 3000 PSI gauge with the proper JIC fitting, attach it to the hose. Start the Isuzu engine, turn "ON" the main power in the control box, pull the wand trigger and read the pressure gauge. If the pressure needs to be adjusted use the pressure relief valve marked "RVP", loosen the jam nut and adjust the pressure with the allen screw at the end of the relief. Turn clockwise to increase pressure and counterclockwise to decrease pressure, then tighten the jam nut to lock pressure. Next turn "OFF" the Isuzu engine, remove the cap, pressure gauge and reattach the hose.
3	Is the hydraulic flow correct from the hydraulic pump? (Refer to Fig. 8-4 Hydraulic Valve Pressure Setting).	<ul style="list-style-type: none"> • Yes, call Crafco, Inc. and speak to a service technician. You should have been able to find the problem. • No, call a local hydraulic shop to see if they can run a hydraulic pump flow test, using the information in Fig. 8-4 Hydraulic Valve Pressure Setting

Chapter 8 Troubleshooting



SS60 PUMP CIRCUIT

Fig. 8-9 Pump Circuit Schematic

Chapter 9 Illustrated Parts List

9.0 About the Illustrated Parts List

The Illustrated Parts List (IPL) is designed to help technical service or maintenance personnel correctly identify orderable replacement parts.

The figure and tables titles reference the part number (PN) to which they apply. The PNs for each of the Super Shot SS60 Propane Melter machine models are as follows:

- Super Shot 60 Propane Trailer Melter PN 43300
- Super Shot 60 Propane Skid Melter PN 50750

Illustrations are designed to show general shape and size of a part and the relationship that part has to other parts. Actual size and shape of parts or components may differ or vary from the actual part or component.

9.1 Ordering Crafco Parts

Crafco distributors and Crafco Pavement Preservation Supply Centers are strategically located throughout the United States. Parts can be ordered from your local Crafco distributor or directly from Crafco, Inc. if a distributor is not available in your area.

When ordering parts, give the following information:

- Part Number
- Machine Model
- Serial Number

Write, call, or Fax Crafco, Inc. at the following:

Crafco, Inc. Headquarters
6165 W Detroit St.
Chandler, AZ 85226-2601
Phone: (602) 276-0406
Toll Free: (800) 528-8242
Fax: (480) 961-0513

Visit our website at www.crafco.com

Chapter 9 Illustrated Parts List

9.2 Super Shot 60 Propane Trailer Melter Assembly 43300

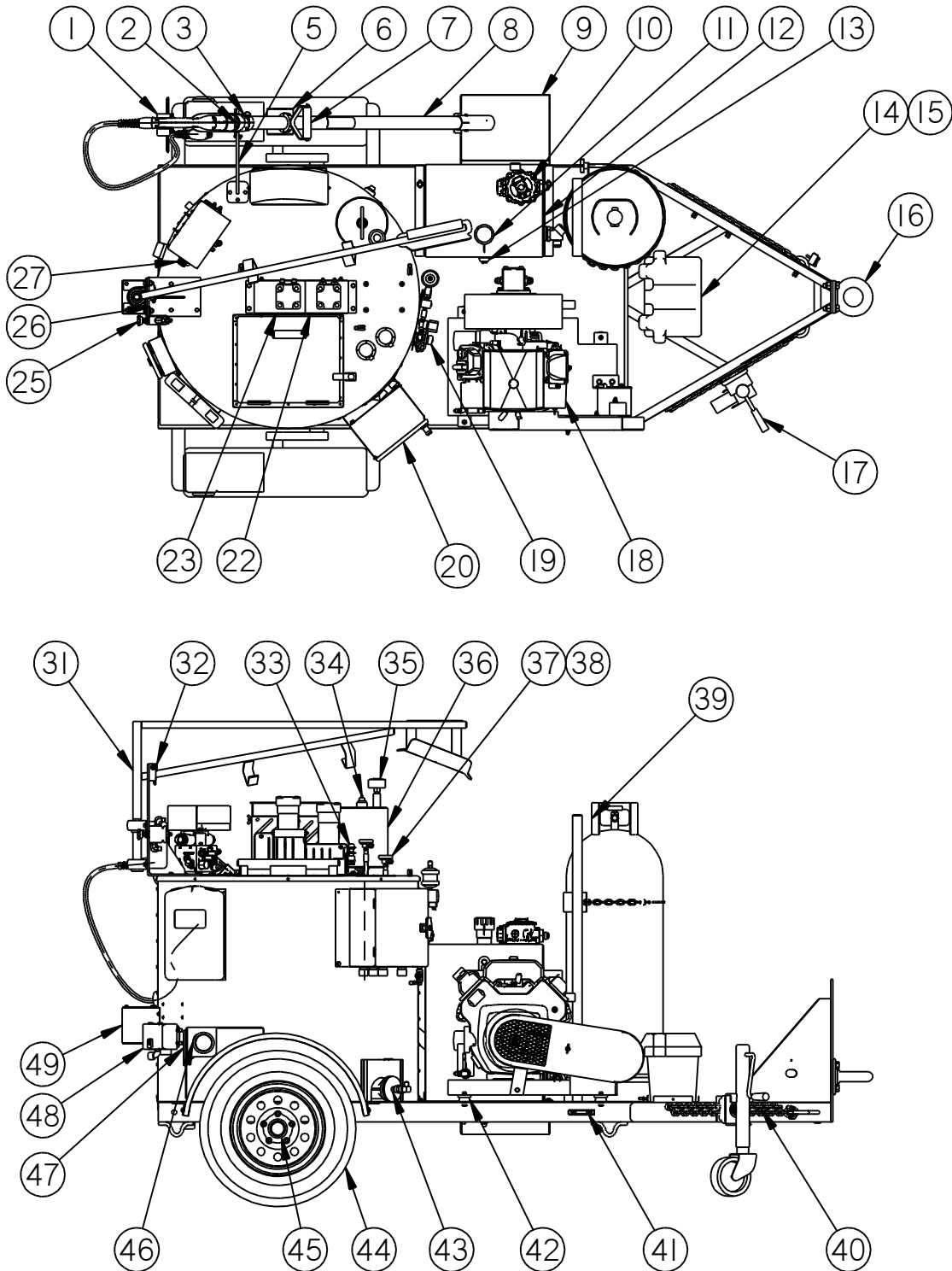


Fig. 9-1 Super Shot 60 Propane Trailer Melter: PN 43300

Chapter 9 Illustrated Parts List

Table 9-1 Super Shot 60 Propane Trailer Melter: PN 43300

FIG.	ITEM	PART NO.	DESCRIPTION	QTY.
Fig. 9-1	1	44797	LED LICENSE PLATE LAMP	1
	2	45989	LOCKING ARM, WAND SUPPORT	1
	3	26104	¼ X 2.5 GRIP QUICK RELEASE PIN	1
	4	44776	DRIVER SIDE FENDER ASSEMBLY	1
	5	47545N	BRACKET, WAND MOUNTING SS60P	1
	6	45562	HOSE GUIDE	1
	7	43768	WAND HANDLE	1
	8	52200	48" ELECTRIC HEATED WAND	1
	9	43624	DRIP PAN ASSEMBLY	1
	10	45430	HYDRAULIC FILTER ASSEMBLY	1
	10a	45438	HYDRAULIC FILTER ELEMENT	-
	10b	45440	O-RING, HYDRAULIC FILTER	-
	10c	45441	GASKET, HYDRAULIC FILTER	-
	10d	45437	GAUGE, HYDRAULIC FILTER	-
	11	43579	FILLER BREATHER	1
	12	43595	HYDRAULIC TANK ASSEMBLY	1
	13	45415	HYDRAULIC SIGHT GAUGE	1
	14	24002	BATTERY BOX	1
	15	24000	12V BATTERY	1
	16	20014	3" PINTLE HITCH	OPT.
	17	40105	SWIVEL TONGUE JACK	1
	18	44310	POWER PACK ASSEMBLY	1
	19	45592	GAS MANIFOLD ASSEMBLY	1
	20	44075	CONTROL BOX ASSEMBLY	1
	21	44777	PASSENGER SIDE FENDER ASSEMBLY	1
	22	44832	PUMP / AGITATOR MOTOR ASSEMBLY	1
23	43727	CHAIN GUARD ASSEMBLY	2	
24	25289	RECORD BOX	1	
25	46060	FLOW CONTROL VALVE	1	
26	45549	BOOM SUPPORT	1	

Chapter 9 Illustrated Parts List

Table 9-2 Super Shot 60 Propane Trailer Melter: PN 43300 (continued)

FIG.	ITEM	PART NO.	DESCRIPTION	QTY.
Fig. 9-1	27	45420	HYDRAULIC VALVE ASSEMBLY	1
	28	32513	TOGGLE SWITCH PUMP REVERSE	1
	29	51678	TOGGLE SWITCH AGITATOR	1
	30	44882	COVER, HYDRAULIC VALVE	1
	31	45560	HOSE BOOM	1
	32	45563	LOCKING LATCH	1
	33	39608	LID SWITCH	1
	34	43374	DIP STICK, HEAT TRANSFER OIL	1
	35	26025	AIR BREATHER, HEAT TRANSFER OIL	1
	36	43355	OVERFLOW TANK	1
	37	43465	RTD SENSOR	2
	38	51065	CORD GRIP, RTD SENSOR	2
	39	25118	100 POUND PROPANE BOTTLE	1
	40	20130	48" SAFETY CHAIN	2
	41	32365	YELLOW LED CLEARANCE MARKER	2
	42	44385	ISOMOUNT	4
	43	43123	BURNER ASSEMBLY	1
	44	44886	TIRE AND WHEEL ASSEMBLY	2
	45	44887	TORSIONAL AXLE ASSEMBLY	1
	46	32364	2 ½ RED LED SIDE MARKER	2
	47	32363	4" RED LED STOP, TURN AND TAILLIGHT	2
	48	44027	JUNCTION BOX ASSEMBLY	1
	49	43821	HEAT GUARD	1
	50	27170	3/8" ROUND SEALING TIP	OPT.
	51	27171	½" ROUND SEALING TIP	OPT.
	52	27173	¾" SEALING SHOE	OPT.
	53	27146	¼" ELONGATED SEALING TIP	OPT.
	54	43672	MOUNT, STROBE LIGHT	OPT.
55	24095	STROBE LIGHT	OPT.	
56	50720	WEATHER TIGHT BOOT (NOT SHOWN)	2	

Chapter 9 Illustrated Parts List

Table 9-3 Super Shot 60 Propane Trailer Melter: PN 43300 (continued)

FIG.	ITEM	PART NO.	DESCRIPTION	QTY.
Fig. 9-1	57	31512	30 AMP CIRCUIT BREAKER (NOT SHOWN)	1
	58	24190	OVERNIGHT HEATER ROD	OPT.
	59	44883	SPARE TIRE WITH MOUNT	OPT.
	60	50270	DUCKBILL (NOT SHOWN)	1
	61	27162R	3" DISK WITH RESTRICTOR	OPT.
	62	27163R	4" DISK WITH RESTRICTOR	OPT.

Chapter 9 Illustrated Parts List

9.3 Super Shot 60 Propane Skid Melter Assembly 50750

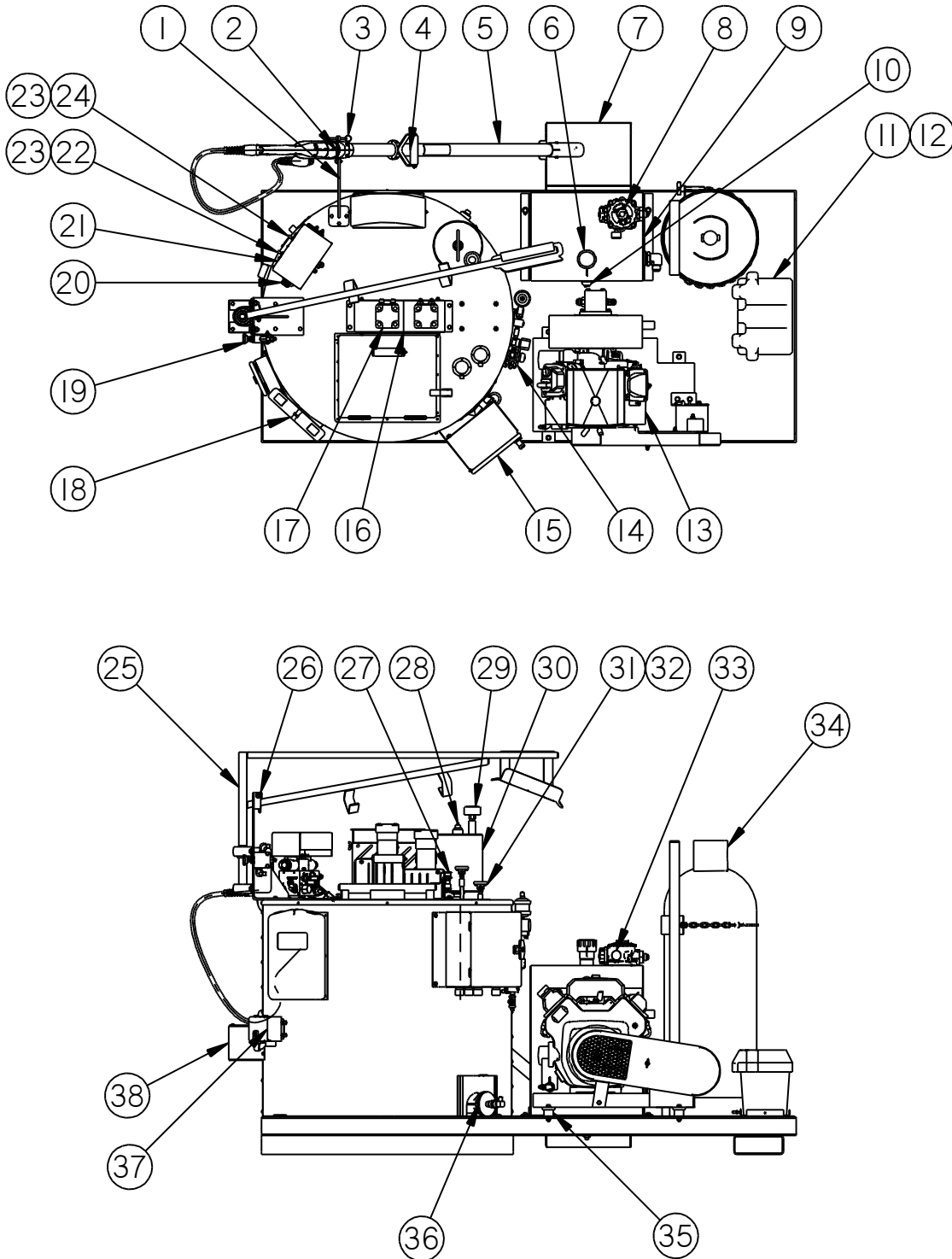


Fig. 9-2 Super Shot 60 Propane Skid Melter: PN 50750

Chapter 9 Illustrated Parts List

Table 9-4 Super Shot 60 Propane Skid Melter: PN 50750

FIG.	ITEM	PART NO.	DESCRIPTION	QTY.
Fig. 9-2	1	47545N	BRACKET, WAND MOUNTING SS60P	1
	2	45989	LOCKING ARM, WAND SUPPORT	1
	3	26104	¼ X 2.5 GRIP QUICK RELEASE PIN	1
	4	43768	WAND HANDLE	1
	5	52200	48" ELECTRIC HEATED WAND	1
	6	43579	FILLER BREATHER	1
	7	43624	DRIP PAN ASSEMBLY	1
	8	45430	HYDRAULIC FILTER ASSEMBLY	1
	8a	45438	HYDRAULIC FILTER ELEMENT	-
	8b	45440	O-RING, HYDRAULIC FILTER	-
	8c	45441	GASKET, HYDRAULIC FILTER	-
	8d	45437	GAUGE, HYDRAULIC FILTER	-
	9	43595	HYDRAULIC TANK ASSEMBLY	1
	10	45415	HYDRAULIC SIGHT GAUGE	1
	11	24002	BATTERY BOX	1
	12	24000	12V BATTERY	1
	13	44310	POWER PACK ASSEMBLY	1
	14	45592	GAS MANIFOLD ASSEMBLY	1
	15	44075	CONTROL BOX ASSEMBLY	1
	16	44832	PUMP / AGITATOR MOTOR ASSEMBLY	1
	17	43727	CHAIN GUARD ASSEMBLY	2
	18	25289	RECORD BOX	1
	19	46060	FLOW CONTROL VALVE	1
	20	45420	HYDRAULIC VALVE ASSEMBLY	1
	21	45549	BRACKET, HYDRAULIC VALVE	1
	22	32513	TOGGLE SWITCH PUMP REVERSE	1
23	50720	WEATHER TIGHT BOOT	2	
24	51678	TOGGLE SWITCH AGITATOR	1	
25	45560	HOSE BOOM	1	
26	45563	LOCKING LATCH	1	

Chapter 9 Illustrated Parts List

Table 9-5 Super Shot 60 Propane Skid Melter: PN 50750 (continued)

FIG.	ITEM	PART NO.	DESCRIPTION	QTY.
Fig. 9-2	27	39608	LID SWITCH	1
	28	43374	DIP STICK, HEAT TRANSFER OIL	1
	29	26025	AIR BREATHER, HEAT TRANSFER OIL	1
	30	43355	OVERFLOW TANK	1
	31	43465	RTD SENSOR	2
	32	51065	CORD GRIP, RTD SENSOR	2
	33	45437	GAUGE, HYDRAULIC FILTER	1
	34	25118	100 POUND PROPANE BOTTLE	1
	35	44385	ISOMOUNT	4
	36	43123	BURNER ASSEMBLY	1
	37	44027	JUNCTION BOX ASSEMBLY	1
	38	43821	HEAT GUARD	1
	39	25118	100 POUND PROPANE BOTTLE	1
	40	20130	48" SAFETY CHAIN	2
	41	32365	YELLOW LED CLEARANCE MARKER	2
	42	44385	ISOMOUNT	4
	43	43123	BURNER ASSEMBLY	1
	44	27170	3/8" ROUND SEALING TIP	OPT.
	45	27171	1/2" ROUND SEALING TIP	OPT.
	46	27173	3/4" SEALING SHOE	OPT.
	47	27146	1/4" ELONGATED SEALING TIP	OPT.
	48	43672	MOUNT, STROBE LIGHT	OPT.
	49	24095	STROBE LIGHT	OPT.
	50	31512	30 AMP CIRCUIT BREAKER (NOT SHOWN)	1
	51	24190	OVERNIGHT HEATER ROD	OPT.
	52	51756	DUCKBILL TIP (NOT SHOWN)	1
	53	27162R	3" DISK WITH RESTRICTOR	OPT.
	54	27163R	4" DISK WITH RESTRICTOR	OPT.

Chapter 9 Illustrated Parts List

This page left blank intentionally

Chapter 9 Illustrated Parts List

9.4 Tank Assembly, SS60 Propane

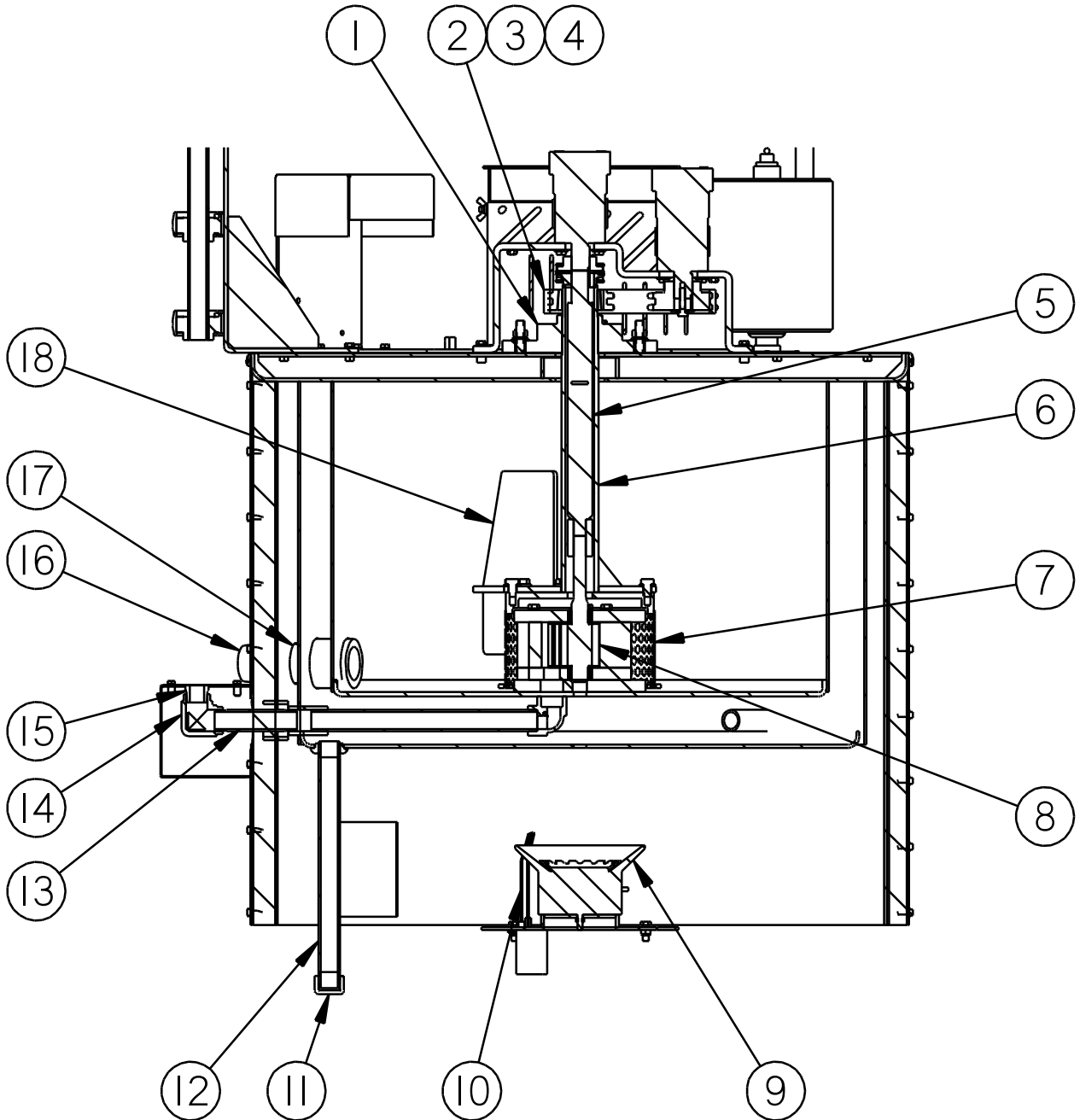


Fig. 9-3 Tank Assembly: SS60 Propane

Chapter 9 Illustrated Parts List

Table 9-6 Tank Assembly: SS60 Propane

FIG.	ITEM	PART NO.	DESCRIPTION	QTY.
Fig. 9-3	1	43760	BEARING, FLANGED	1
	2	43321	CHAIN DRIVE	1
	3	44163	KEY, SPROCKET	1
	4	44165	SPROCKET DRIVEN	1
	5	43548	SHAFT, DRIVE PUMP	1
	6	43545	SHAFT AGITATOR	1
	7	43655	SCREEN PUMP	1
	8	44850	PUMP, MATERIAL	1
	9	43123	PROPANE BURNER ASSEMBLY	1
	10	43153	IGNITOR	1
	11	28270	1" PIPE CAP	1
	12	28174	1" X 15" PIPE NIPPLE	1
	13	28055	1" X 5" PIPE NIPPLE	1
	14	28210	1" PIPE ELBOW	1
	15	28351	1" X 3/4" REDUCER BUSHING	1
	16	28273	2" PIPE CAP	1
	17	28060	2" X 5" PIPE NIPPLE	1
	18	43325	AGITATOR PADDLE ASSEMBLY	2

Chapter 9 Illustrated Parts List

9.5 Control Box Assembly: PN 44075

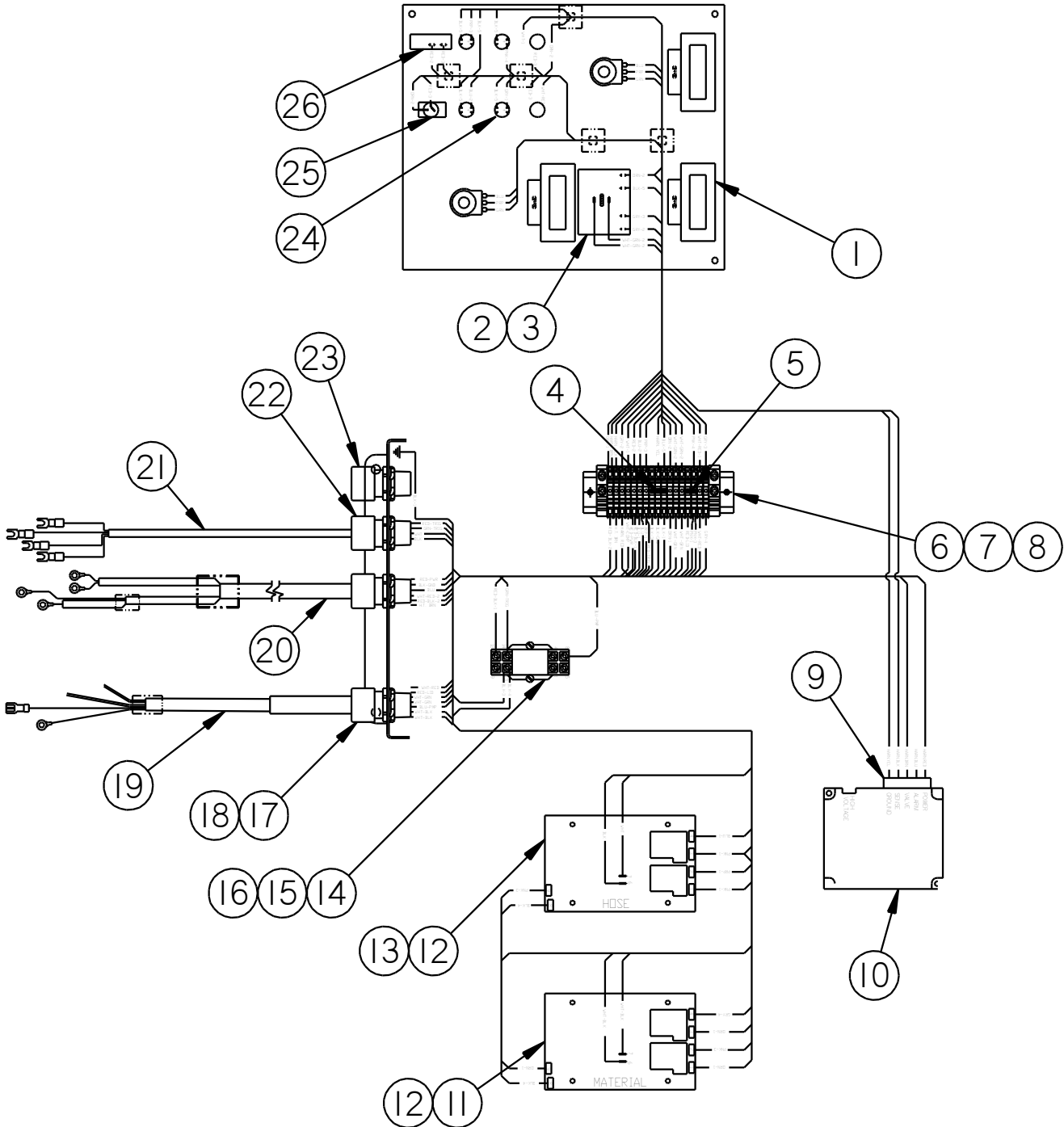


Fig. 9-4 Control Box Assembly: PN 44075

Chapter 9 Illustrated Parts List

Table 9-7 Control Box Assembly: PN 44075

FIG.	ITEM	PART NO.	DESCRIPTION	QTY.
Fig. 9-4	1	50251	DIGITAL READOUT	3
	2	43391	TEMPERATURE CONTROLLER, 150°F – 550°F	1
	3	51698	5" RIBBON CABLE (NOT SHOWN)	1
	4	51804	3-POLE JUMPER	1
	5	51801	2-POLE JUMPER	1
	6	51802	END BRACKET, TENSION CLAMP	1
	7	51803	MOUNTING RAIL, TENSION CLAMP	1
	8	51800	FEED THROUGH TERMINAL	16
	9	50559	HARNESS (SPARK CONTROL MODULE)	1
	10	25278	SPARK CONTROL MODULE	1
	11	51672	TEMPERATURE CONTROLLER 400°F / 275°F	1
	12	51670	SPACER, CONTROLLER	8
	13	51691	TEMPERATURE CONTROLLER 400°F / 325°F	1
	14	51662	RELAY SOCKET	1
	15	51661	RELAY DPDT 12VDC	1
	16	51663	HOLD DOWN SPRING	1
	17	24021	CORD GRIP CONNECTOR, MEDIUM"	2
	18	50280	½" CONDUIT NUT	4
	19	43926	CABLE ASSEMBLY, SENSOR	1
	20	43929	CABLE ASSEMBLY, POWER	1
	21	43928	CABLE ASSEMBLY, TRIGGER/SENSOR	1
	22	24024	CORD GRIP CONNECTOR, LARGE	1
	23	51064	CORD GRIP CONNECTOR, SMALL	1
	24	51651	PILOT LIGHT 12VDC	4
	25	50719	TOGGLE SWITCH	1
	26	51665	CIRCUIT BREAKER, 15 AMP	1
	27	50593	KNOB (NOT SHOWN)	3
	28	51684	RIBBON CABLE, 36" (NOT SHOWN)	2
	29	51698	RIBBON CABLE, 5" (NOT SHOWN)	1

Chapter 9 Illustrated Parts List

9.6 Gas Manifold Assembly; PN 45592

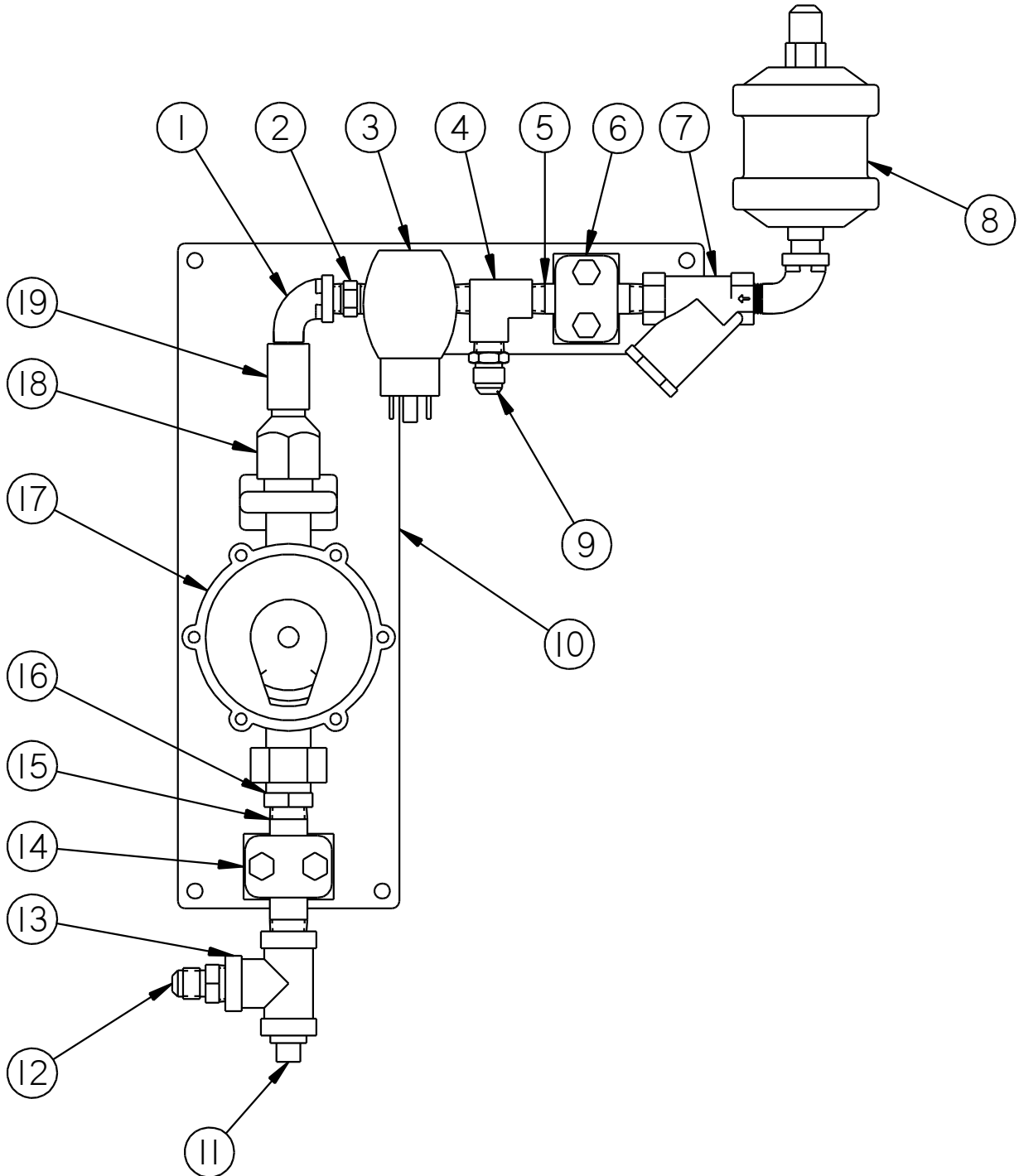


Fig. 9-5 Gas Manifold Assembly; PN 45592

Chapter 9 Illustrated Parts List

Table 9-8 Gas Manifold Assembly; PN 45592

FIG.	ITEM	PART NO.	DESCRIPTION	QTY.
Fig. 9-5	1	28236	1/4" STREET ELBOW	2
	2	51401	1/4" NPT HEX NIPPLE	1
	3	25236	GAS SOLENOID VALVE	1
	4	29980	1/4" STREET TEE	1
	5	28024	1/4" X 2 1/2" NIPPLE	1
	6	45587	1/4" PIPE WELD ON MOUNT CLAMP	1
	7	25208	STRAINER	1
	8	55399	LP FUEL FILTER	1
	9	29839	1/4" NPT X 3/8" MS ADAPTER	1
	10	45593	GAS MANIFOLD MOUNTING PLATE	1
	11	28282	3/8" PIPE PLUG	1
	12	29840	CONNECTOR, 45° FLARE MALE	1
	13	28252	3/8" NPT PIPE TEE	1
	14	45589	3/8" PIPE WELD ON MOUNT CLAMP	1
	15	28025	3/8" X 3.0" NIPPLE	1
	16	28345	1/2" X 3/8" BUSHING	1
	17	45594	GAS MANIFOLD	1
	18	45598	POL FEMALE X 1/4" MP	1
	19	28176	1/4" PIPE COUPLING	1

Chapter 9 Illustrated Parts List

9.7 Engine Assembly: PN 44310

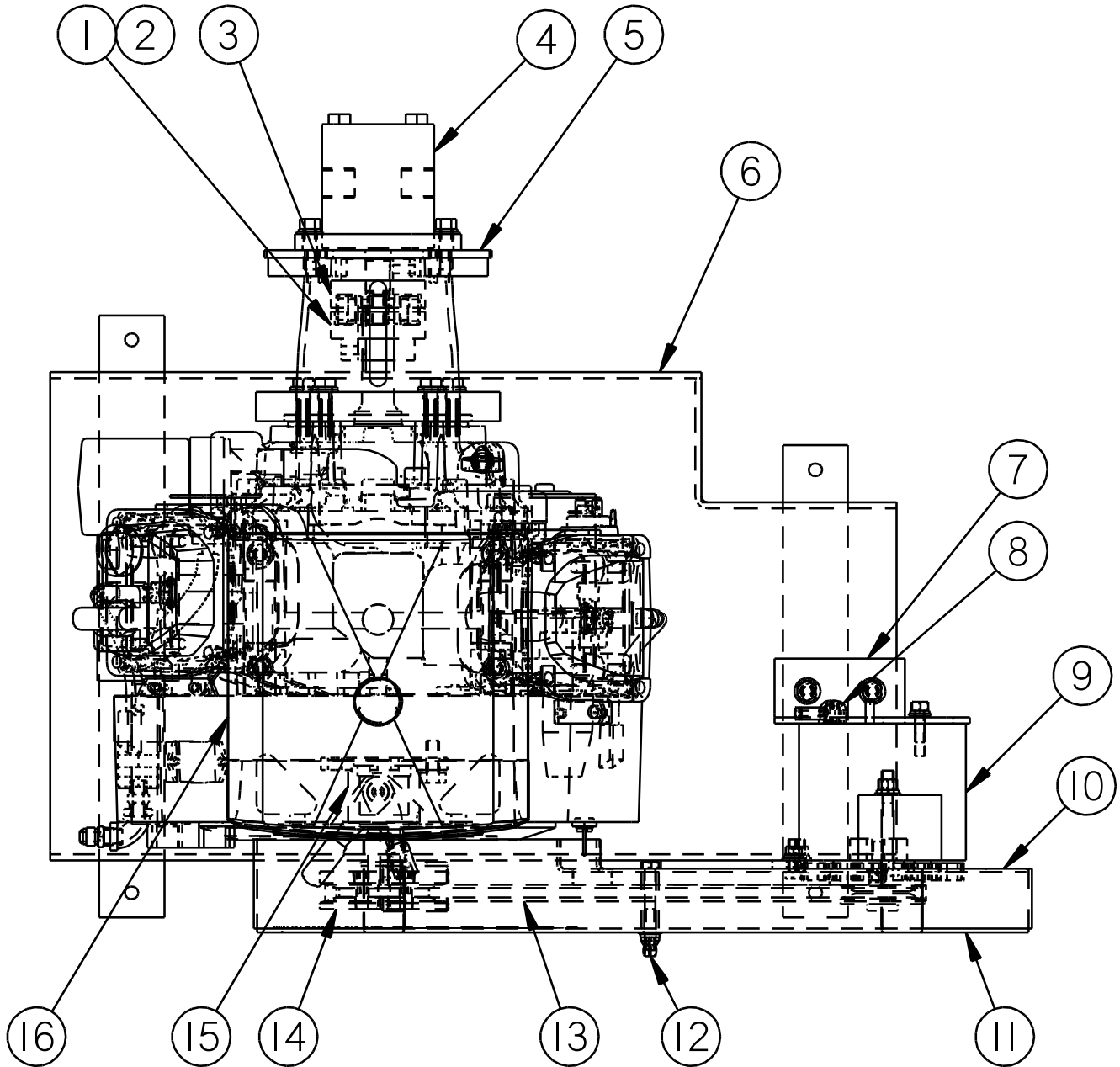


Fig. 9-6 Engine Assembly: 44310

Chapter 9 Illustrated Parts List

Table 9-9 Engine Assembly: PN 44310

FIG.	ITEM	PART NO.	DESCRIPTION	QTY.
Fig. 9-6	1	44829	COUPLING HALF 1"	1
	2	44830	SPIDER COUPLING	1
	3	44828	COUPLING HALF 3/4"	1
	4	45367	HYDRAULIC GEAR PUMP	1
	5	44379	HYDRAULIC PUMP ADAPTER	1
	6	44309	POWER PACK MOUNTING BASE	1
	7	55358	ALTERNATOR BRACKET REAR SUPPORT	1
	8	43887	TERMINAL BOOT	3
	9	43612	24 V GENERATOR	1
	10	44322	REAR BELT GUARD BRACKET ASSEMBLY	1
	11	44320	BELT GUARD OUTER COVER ASSEMBLY	1
	12	28619	5/16" -18 WING NUT	1
	13	43557	DRIVE BELT	1
	14	55340	DRIVE PULLEY W/ BUSHING	1
	15	55341	FRONT DRIVE SHAFT	1
	16	44323	20 HP ENGINE	1
	17	24250	HOUR/TACH METER (NOT SHOWN)	1

Chapter 9 Illustrated Parts List

9.8 Hydraulic Control Valve Assembly: PN 45420

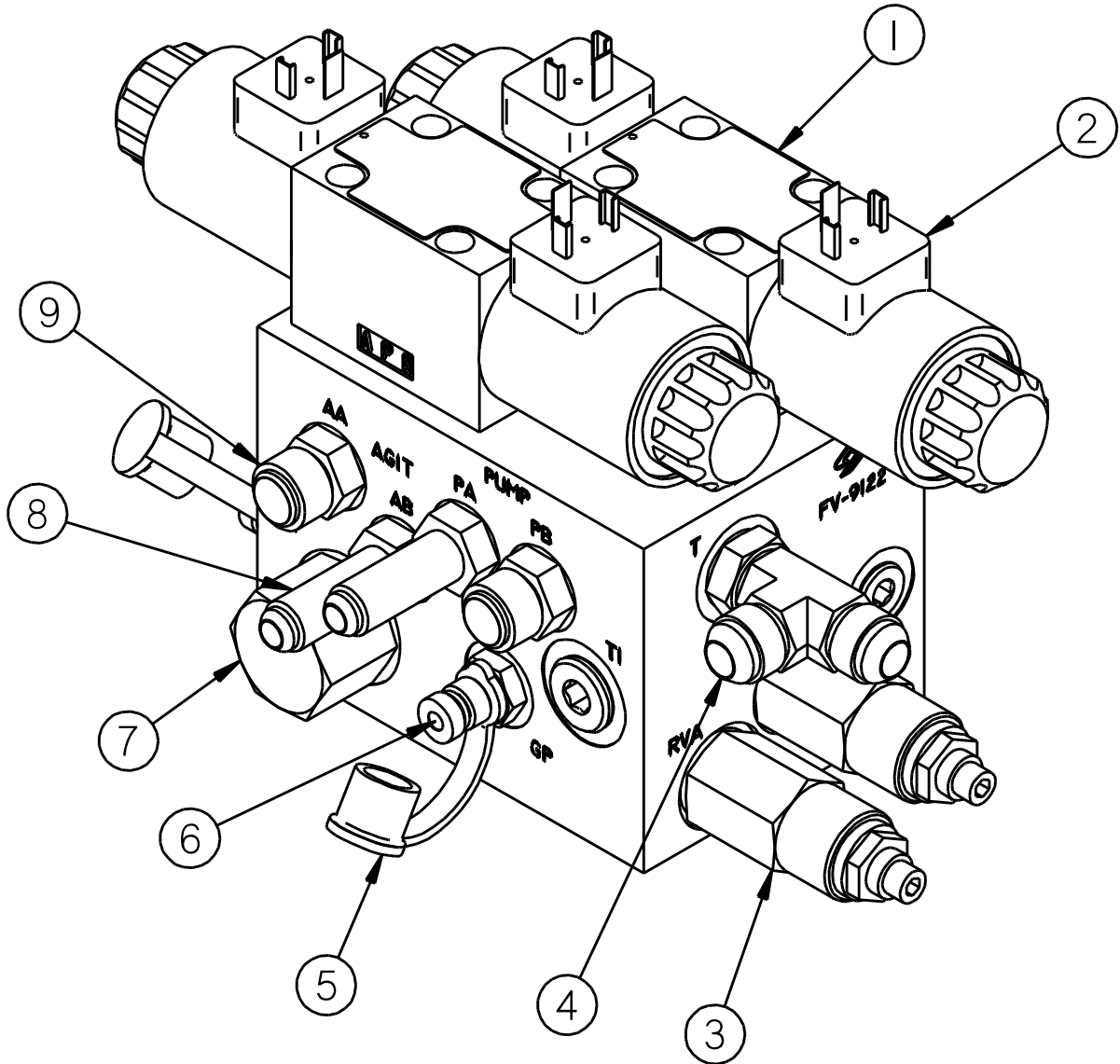


Fig. 9-7 Hydraulic Control Valve Assembly: PN 45420

Chapter 9 Illustrated Parts List

Table 9-10 Hydraulic Control Valve Assembly: PN 45420

FIG.	ITEM	PART NO.	DESCRIPTION	QTY.
Fig. 9-7	1	45418	VALVE, DIRECTIONAL REXROTH	2
	2	45436	COIL, DIRECTIONAL VALVE REXROTH	4
	3	45417	VALVE RELIEF	2
	4	29897	FITTING, #8 ORB X #8 MALE JIC STR	1
	5	45413	DUST CAP	2
	6	45414	FITTING, TEST PORT	2
	7	45416	FLOW CONTROL, PRIORITY	1
	8	40308	FITTING, #6 ORB X #6 MALE JIC STR	2
	9	29919	FITTING, #6 ORB X #8 MALE JIC STR	2

9.9 Material Flow Control Assembly: PN 46060

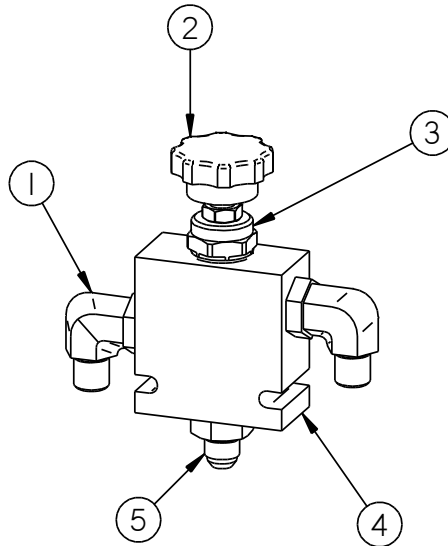


Fig. 9-8 Material Flow Control Assembly: PN 46060

Table 9-11 Material Flow Control Assembly: PN 46060

FIG.	ITEM	PART NO.	DESCRIPTION	QTY.
Fig. 9-8	1	29869	3/8" TUBE X 1/2" O-RING ELBOW	2
	2	46077	KNOB ONLY	1
	3	45431	CARTRIDGE, FLOW CONTROL (WITH KNOB)	1
	4	46060	HYDRAULIC FLOW CONTROL (NO FITTINGS)	1
	5	29998	3/8" TUBE X 1/2" O-RING ADAPTOR	1

Chapter 9 Illustrated Parts List

9.10 Pump/Mixer Motor Assembly: PN 44832

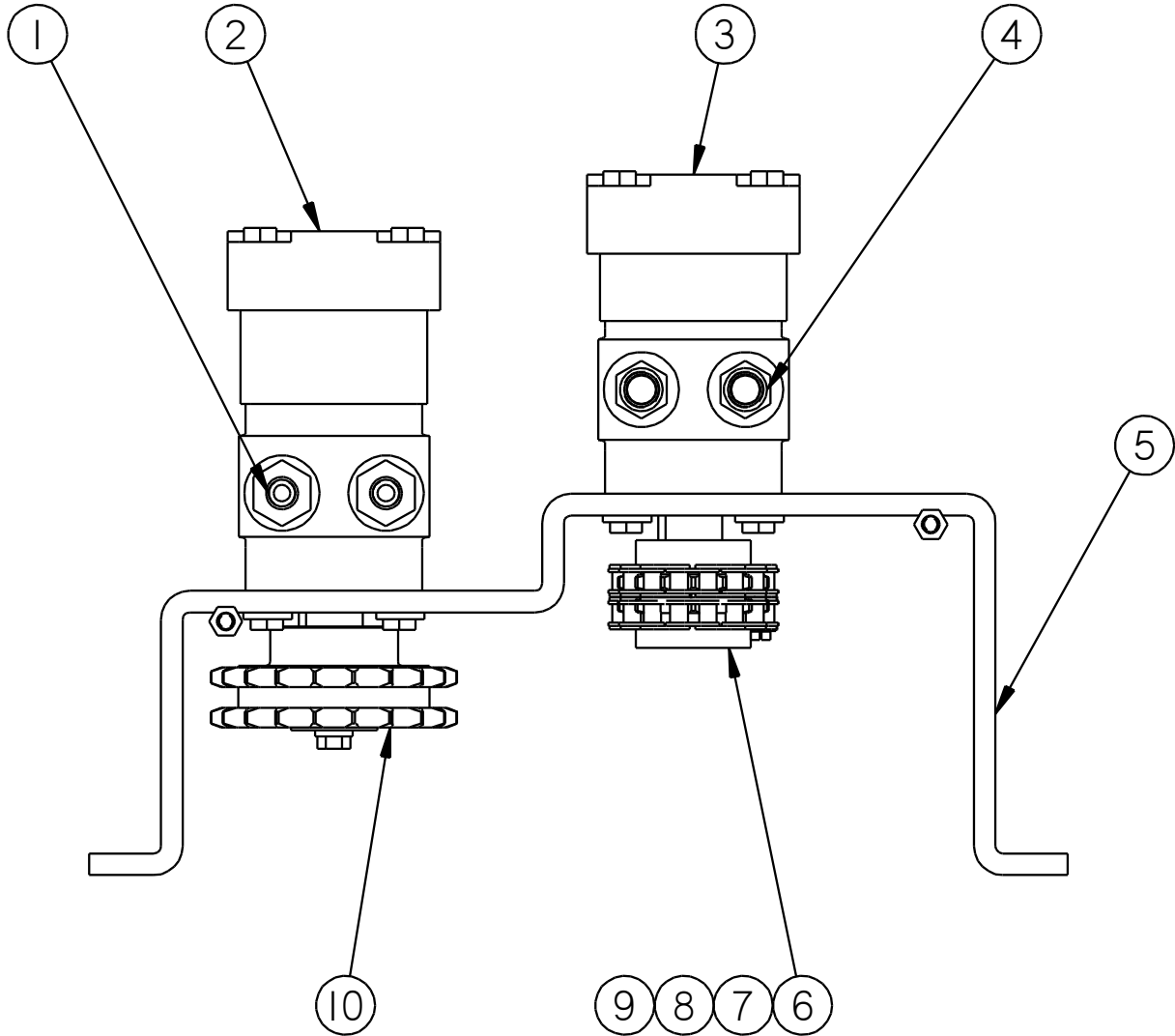


Fig. 9-9 Pump/Mixer Motor Assembly: PN 44832

Chapter 9 Illustrated Parts List

Table 9-12 Pump/Mixer Motor Assembly: PN 44832

FIG.	ITEM	PART NO.	DESCRIPTION	QTY.
Fig. 9-9	1	22029	3/8" TUBE X 5/8" O-RING ADAPTOR	2
	2	22027	HYDRAULIC MOTOR, MIXER	1
	3	44809	HYDRAULIC MOTOR, PUMP	1
	4	29913	1/2" TUBE X 5/8" O-RING ADAPTOR	2
	5	43345	MOUNTING BRACKET MOTORS	1
	6	26002	SPROCKET CHAIN COUPLING	2
	7	26016	CHAIN COUPLING	1
	8	26030	CONNECTING LINK CHAIN	1
	9	43323	SPROCKET MIXER DRIVE	1

Chapter 9 Illustrated Parts List

9.11 Propane Burner Assembly: PN 43123

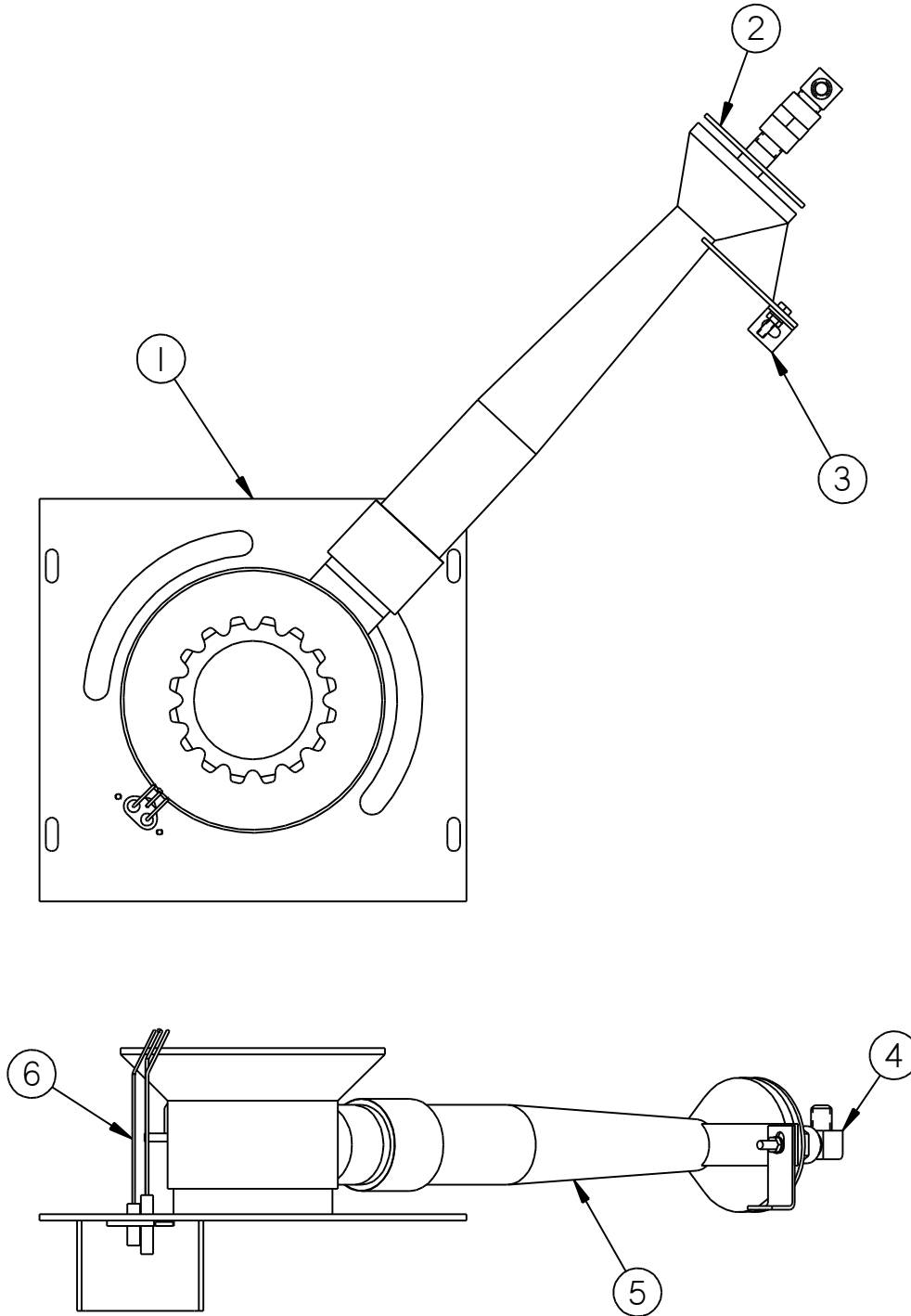


Fig. 9-10 Propane Burner Assembly: PN 43123

Chapter 9 Illustrated Parts List

Table 9-13 Propane Burner Assembly: PN 43123

FIG.	ITEM	PART NO.	DESCRIPTION	QTY.
Fig. 9-10	1	43118	MOUNTING PLATE ASSEMBLY	1
	2	N/A	AIR SHUTTER	1
	3	43109	MOUNTING BRACKET	1
	4	29858	90° ELBOW	1
	5	41210	BURNER	1
	6	43153	IGNITOR	1
	7	N/A	ORIFICE #26 (NOT SHOWN)	1

Chapter 9 Illustrated Parts List

9.12 Hydraulic Diagram: PN 26535

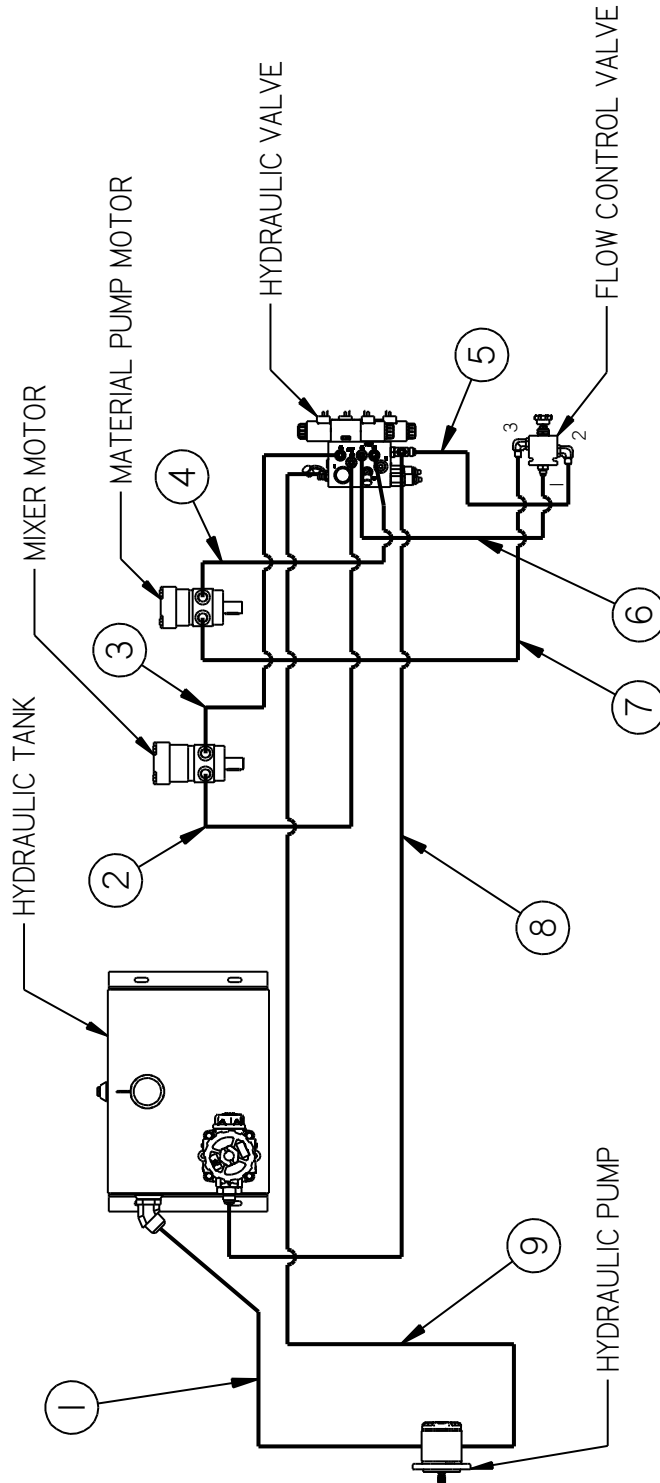


Fig. 9-11 Hydraulic Diagram: PN 26535

Chapter 9 Illustrated Parts List

Table 9-14 Hydraulic Diagram: PN 26535

FIG.	ITEM	PART NO.	DESCRIPTION	QTY
Fig. 9-11	1	HYDRAULIC RESERVOIR TO HYDRAULIC PUMP SUCTION PORT		
		29819	FITTING, #12 ORB X #12 JIC	REF
		12G4H 12G-16FJX 12G-12FJX 36	HYDRAULIC HOSE	1
		29931	FITTING, #16 ORB X #12 JIC	REF
	2	MIXER MOTOR TO HYDRAULIC VALVE "AB" PORT		
		22029	FITTING, #10 ORB X #6 JIC	REF
		6M3K 6G-6FJX 6G-6FJX90L 23	HYDRAULIC HOSE	1
		40308	FITTING, #6 ORB X #6 JIC	REF
	3	HYDRAULIC VALVE "AA" PORT TO MIXER MOTOR		
		29919	FITTING, #6 ORB X #8 JIC	REF
		6M3K 6G-8FJX 6G-6FJX90S 22	HYDRAULIC HOSE	1
		22029	FITTING, #10 ORB X #6 JIC	REF
	4	HYDRAULIC VALVE "PB" PORT TO MATERIAL PUMP MOTOR		
		29919	FITTING, #6 ORB X #8 JIC	REF
		8M3K 8G-8FJX 8G-8FJX90S 15	HYDRAULIC HOSE	1
		29913	FITTING, #10 ORB X #8 JIC	REF
	5	FLOW CONTROL VALVE "2" TO HYDRAULIC VALVE "T" PORT		
		29896	FITTING, #8 ORB X #8 JIC ELBOW	REF
		8M3K 8G-8FJX 8G-8FJX90S 30	HYDRAULIC HOSE	1
		29932	FITTING, #8 ORB X #8 JIC RUN TEE	REF
	6	FLOW CONTROL VALVE "1" TO HYDRAULIC VALVE "PA" PORT		
		29897	FITTING, #8 ORB X #8 JIC	REF
		8M3K 8G-6FJX 8G-8FJX 24	HYDRAULIC HOSE	1
		40308	FITTING, #6 ORB X #6 JIC	REF

Chapter 9 Illustrated Parts List

Table 9-15 Hydraulic Diagram: PN 26535 (continued)

FIG.	ITEM	PART NO.	DESCRIPTION	QTY
Fig. 9-11	7	FLOW CONTROL VALVE "3" TO MATERIAL PUMP MOTOR		
		29896	FITTING, #8 ORB X #8 JIC ELBOW	REF
		8M3K 8G-8FJX 8G-8FJX90L 28	HYDRAULIC HOSE	1
		29913	FITTING, #10 ORB X #8 JIC	REF
	8	HYDRAULIC VALVE "T" PORT TO HYDRAULIC FILTER RETURN		
		-----	FITTING, #8 ORB X #8 JIC ELBOW	REF
		8M3K 8G-8FJX 8G-12FJX90S 84	HYDRAULIC HOSE	1
		29991	FITTING, #20 ORB X #12 JIC	REF
	9	HYDRAULIC PUMP PRESSURE PORT TO HYDRAULIC VALVE "P" PORT		
		29862	FITTING, #10 ORB X #10 JIC	REF
		8M3K 8G-10FJX 8G-8FJX90L 76	HYDRAULIC HOSE	1
		29897	FITTING, #8 ORB X #8 JIC	REF

Chapter 9 Illustrated Parts List

This page left blank intentionally

Chapter 9 Illustrated Parts List

9.13 Propane Schematic

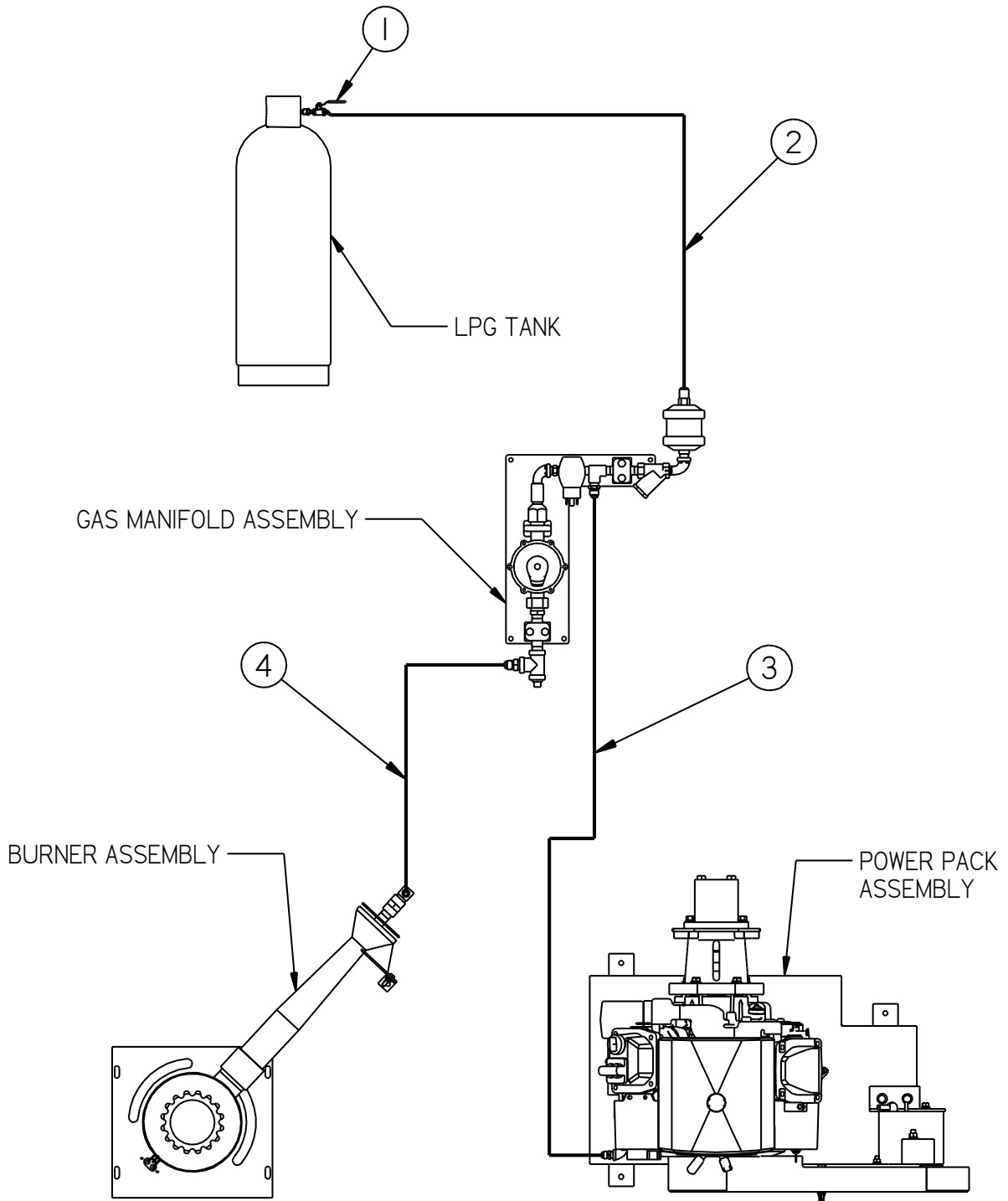


Fig. 9-12 Propane Schematic

Chapter 9 Illustrated Parts List

Table 9-16 Propane Schematic

FIG.	ITEM	PART NO.	DESCRIPTION	QTY.
Fig. 9-12	1	25074	TANK SPUD ASSEMBLY	1
	2	LP6-60	PROPANE HOSE ASSEMBLY	1
	3	LP6-S-17	FIRE JACKETED PROPANE HOSE ASSEMBLY	1
	3	LP6-18	PROPANE HOSE ASSEMBLY	1

Chapter 9 Illustrated Parts List

9.14 Electrical Schematic

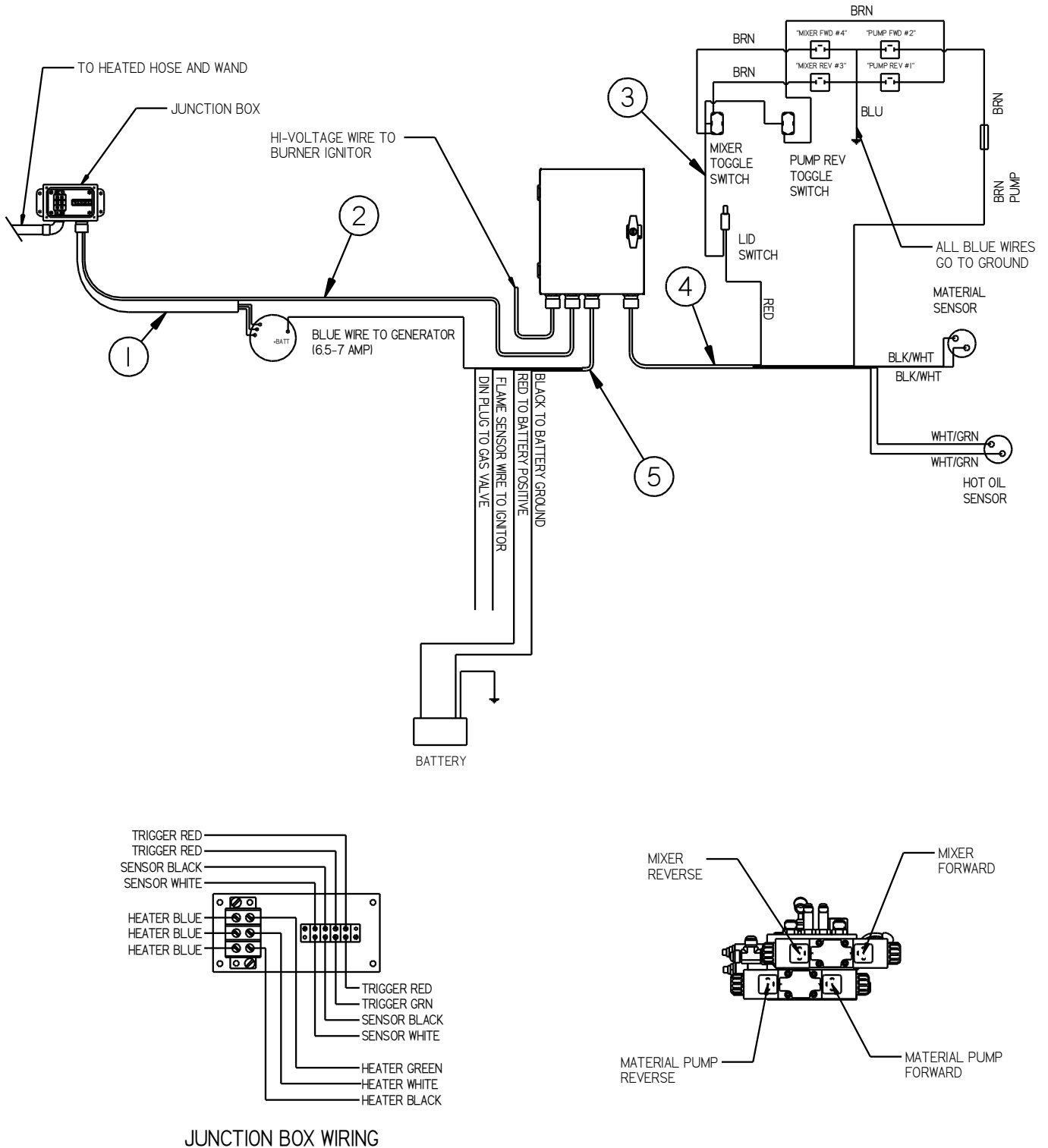


Fig. 9-13 Electrical Schematic

Chapter 9 Illustrated Parts List

Table 9-17 Electrical Schematic

FIG.	ITEM	PART NO.	DESCRIPTION	QTY.
Fig. 9-13	1	43900	CABLE ASSEMBLY, HOSE	1
	2	43928	CABLE ASSEMBLY. TRIGGER/SENSOR	1
	3	43921	CABLE ASSEMBLY, HYDRAULIC VALVE	1
	4	43926	CABLE ASSEMBLY, SENSOR	1
	5	43929	CABLE ASSEMBLY, POWER	1

Chapter 9 Illustrated Parts List

9.15 Wand Assembly PN 52200

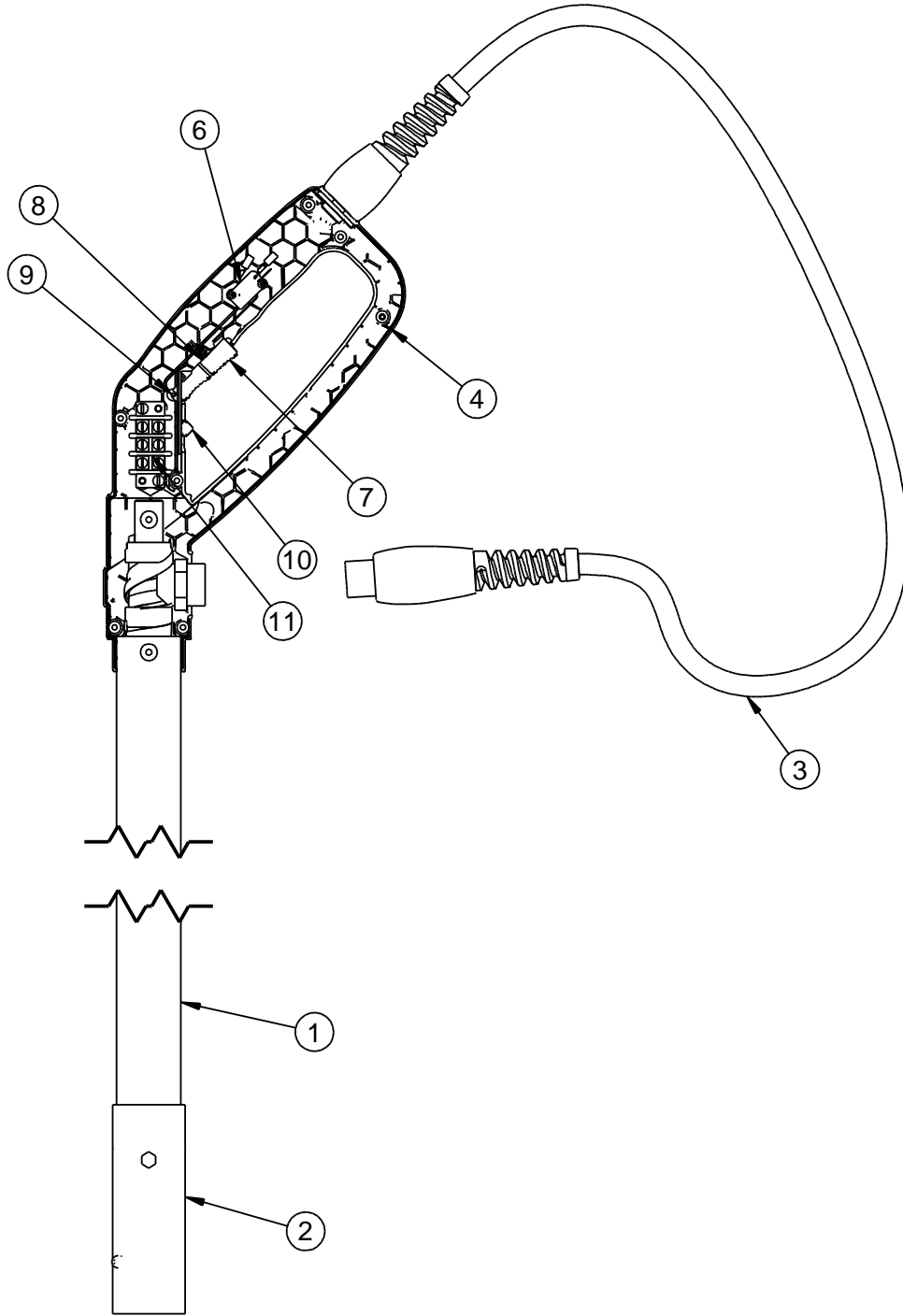


Fig. 9-14 Wand Assembly PN 52200

Chapter 9 Illustrated Parts List

Table 9-18 Wand Assembly PN 52200

FIG.	ITEM	PART NO.	DESCRIPTION	QTY.
Fig. 9-14	1	52204	COVER, WAND	1
	2	50278	TIP GUARD, LONG CLAMP ON	1
	3	52206	CORD ASSEMBLY	1
	4	52201RN	HANDLE, WAND – RIGHT (W/INSERTS) GEN 2	1
	5	52201LN	HANDLE, WAND – LEFT (NOT SHOWN) GEN 2	1
	6	52208	SWITCH, WAND	1
	7	52202N	ACTUATOR GEN 2	1
	8	52207	SPRING, ACTUATOR	1
	9	52209	PIN, ACTUATOR	1
	10	52203N	LOCK, TRIGGER GEN 2	1
	11	51656	TERMINAL STRIP	1

Chapter 10 Tools and Accessories

10.0 Tools and Accessories



Crafcoco Applicator Disk
27162 – 3” Disk Assembly
27163 – 4” Disk Assembly
27164 – 6” Disk Assembly



Crafcoco Sealing Foot/Protruded
27159 – 1/4” Protruding
27160 – 3/8” Protruding



Crafcoco Swivel Disk Applicator
27120 – 3” Swivel Applicator
27130 – 4” Swivel Applicator



Crafcoco Joint Sealing Tip
27146 – 1/4” Sealing Tip
27147 – 3/8” Sealing Tip



Crafcoco Round Sealing Tip
27170 – 3/8” Sealing Tip
27171 – 1/2” Sealing Tip



Crafcoco Sealing Foot/Flush
27154 – 1/4” Flush
27155 – 3/8” Flush

Chapter 10 Tools and Accessories



**Crafco Heavy Duty Squeegee with
Aluminum Handle - 27199
27195 – Replacement Blade**



Crafco Pour Pot with Wheels - 40200



**Super Shot Drip Stopper
Use with 50270 Duckbill
27114 – Tip Adapter
27115 – Shroud, Tip Adapter**



Crafco Hand Held Pour Pot - 40201



Crafco Duckbill - 50270



©2020 Crafcro, Inc.